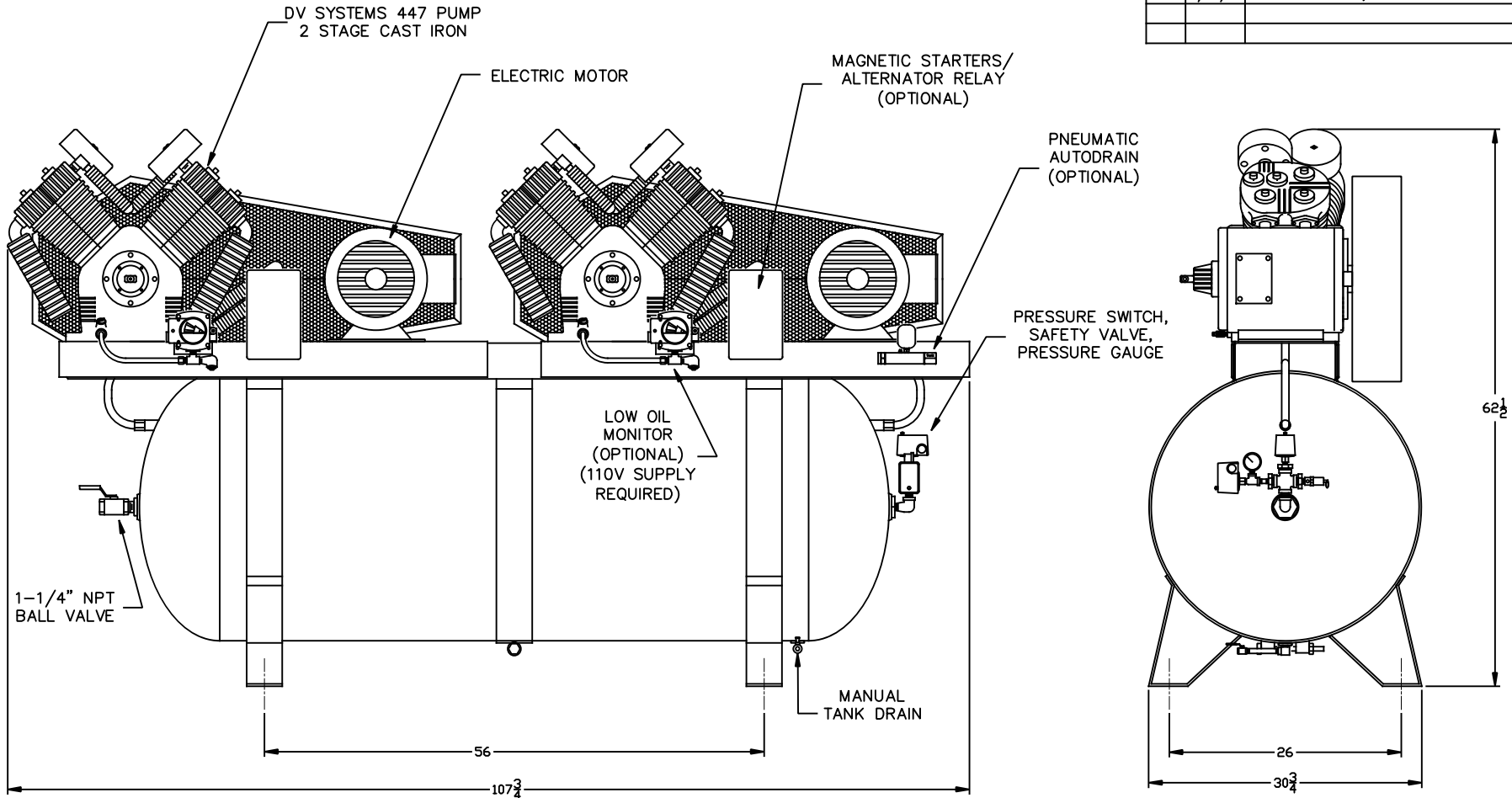


REV.	DATE	REVISION DESCRIPTION	PCN NO.
A	9/30/16	110V NOTE ADDED, MOTOR AMPS	---



NOTE: THE COMPRESSOR SHOWN IS AN 'XL' MODEL, THIS PACKAGE INCLUDING THE (2) MOUNTED MAGNETIC STARTERS, ALTERNATOR RELAY, (2) OIL MONITORS, AND (1) PNEUMATIC AUTODRAIN.

COMPRESSOR OUTFIT DATA				PRESSURE SETTING		RECEIVER CAPACITY		COMPRESSOR PUMP DATA				WEIGHT		NAMEPLATE AMP PER MOTOR			
MODEL	HP	DISP SCFM	DEL'Y SCFM	PSIG	KPA	GAL.	LITRS	TYPE	CYLD.	STAGE	RPM	LB.	KG.	200/3	230/3	460/3	575/3
VAT-5583	10	2 X 43.3	2 X 36.8	150	1034	240	908	447	4	2	590	1940	880	29.5	25	12.5	10

IMPORTANT NOTE: THIS PRINT IS THE CONFIDENTIAL PROPERTY OF DV SYSTEMS, INC. IT IS NOT TO BE USED OR REPRODUCED IN ANY MANNER, NOR SUBMITTED TO OTHER PARTIES FOR EXAMINATION WITHOUT THE PRIOR APPROVAL OF DV SYSTEMS, INC. DV SYSTEMS, INC. IS CONTINUALLY TRYING TO IMPROVE ITS PRODUCTS, SPECIFICATIONS SUBJECT TO CHANGE WITHOUT NOTICE.

FRACTIONAL DIMENSIONS: ±1/32
 DECIMAL DIMENSION: ±.005
 ANGLES: ±1°
 *UNLESS OTHERWISE SPECIFIED



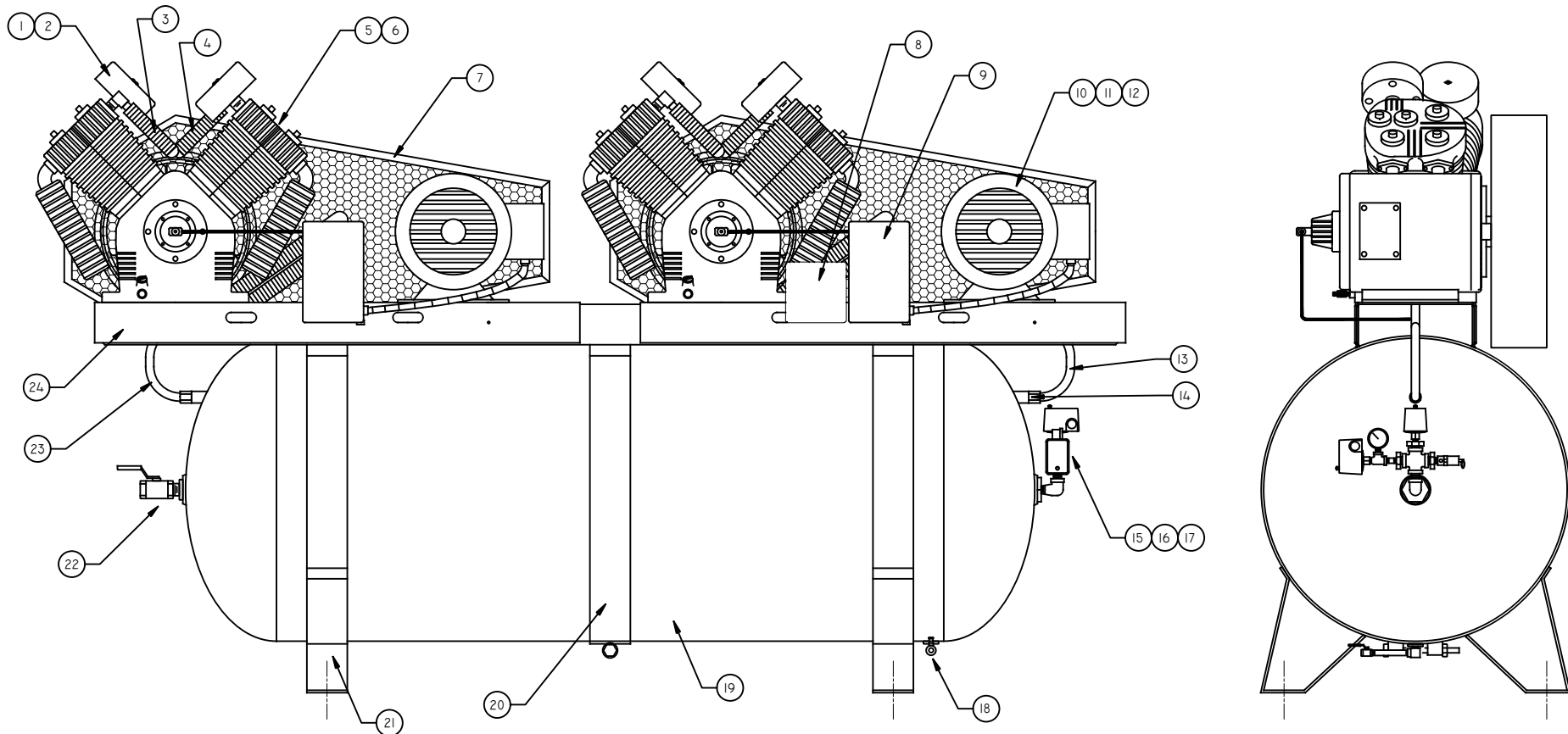
NAME OF PROJECT				DESCRIPTION OF DRAWING			
10 HP DUPLEX C/W 447 PUMPS				COMPRESSOR OUTFIT			
DRAWN BY		CHECKED BY		DATE		SCALE	
ADAM SMITH				NOV20'00		N.T.S.	
DRAWING NO.				SHT NO/REV			
VAT-5583							

PART NUMBER	DESCRIPTION
1	357-9401 FILTER ASSEMBLY
2	357-9701 FILTER ELEMENT
3	CT-9480 AFTERCOOLER TUBE
4	CT-9479 AFTERCOOLER TUBE
5	447-4523 PUMP ASSEMBLY
6	445-2-1 FLYWHEEL, 20" OD
7	EG-9487 BELT GUARD
8	ALT-230 ALTERNATOR RELAY (230V)
	TRN-460230 TRANSFORMER (460V UNIT)
	TRN-575230 TRANSFORMER (575V UNIT)

9	MS-340-43	MAG STARTER
10	MO-6614	MOTOR 200-60-3
	MO-6635	MOTOR 230/460-60-3
	MO-6613	MOTOR 575-60-3
11	PU-9091	MOTOR PULLEY
12	BT-9030	BELTS
13	CT-9740	CHECK VALVE TUBE
14	CCV-9408	CHECK VALVE
15	SSS-9003-115150	PRESSURE SWITCH
16	GA-250	PRESSURE GAUGE
17	SS-00617	SAFETY VALVE

18	VA-9411	BALL VALVE
19	TA-9003-2	TANK - 240 GAL DUPLEX
20	VAX-9409	STRAP ASSEMBLY
21	VAX-9407	STRAP AND FOOT ASSEMBLY
22	VA-9722	BALL VALVE
23	CT-9741	CHECK VALVE TUBE
24	VAX-9410	MOTOR BASE ASSEMBLY

REV.	DATE	REVISION DESCRIPTION	PCN NO.
A	10.22.01	1-1/4" BALL VALVE WAS 2"	01-28
B	12.23.14	LOGO CHANGED	---
C	9.30.16	VA-9411 WAS SS-2707	---



IMPORTANT NOTE: This print is the confidential property of DEVAIR, INC. It is not to be used or reproduced in any manner, nor submitted to other parties for examination without the prior approval of DEVAIR, INC.

FRACTIONAL DIMENSIONS: $\pm 1/32$
 DECIMAL DIMENSION: $\pm .005$
 ANGLES: $\pm 1'$
 *UNLESS OTHERWISE SPECIFIED



NAME OF PROJECT				DESCRIPTION OF DRAWING	
10 HP DUPLEX UNIT C/W 447 PUMPS				COMPRESSOR OUTFIT	
DRAWN BY				DRAWING NO.	SHT NO/REV
ADAM SMITH	CHECKED BY	DATE	SCALE	VAT-5583	C
		23DEC'14	N.T.S.		