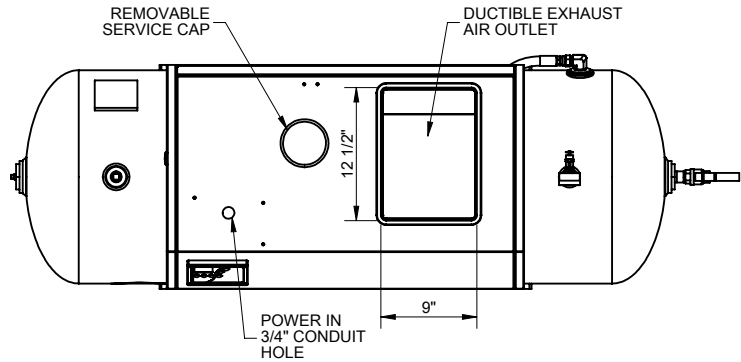


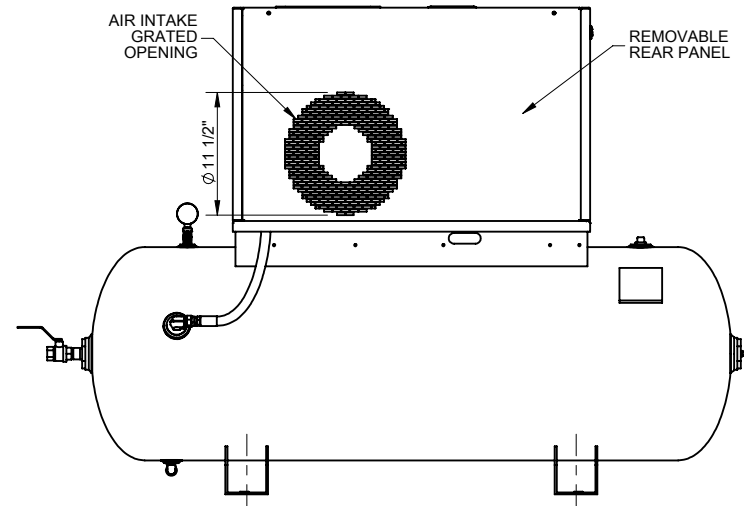
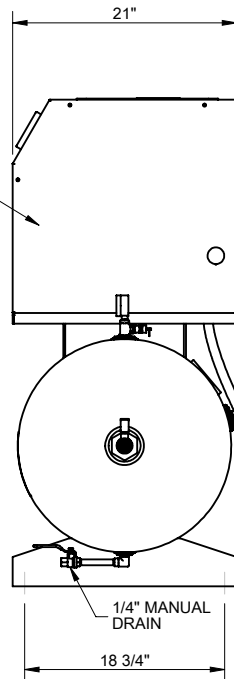
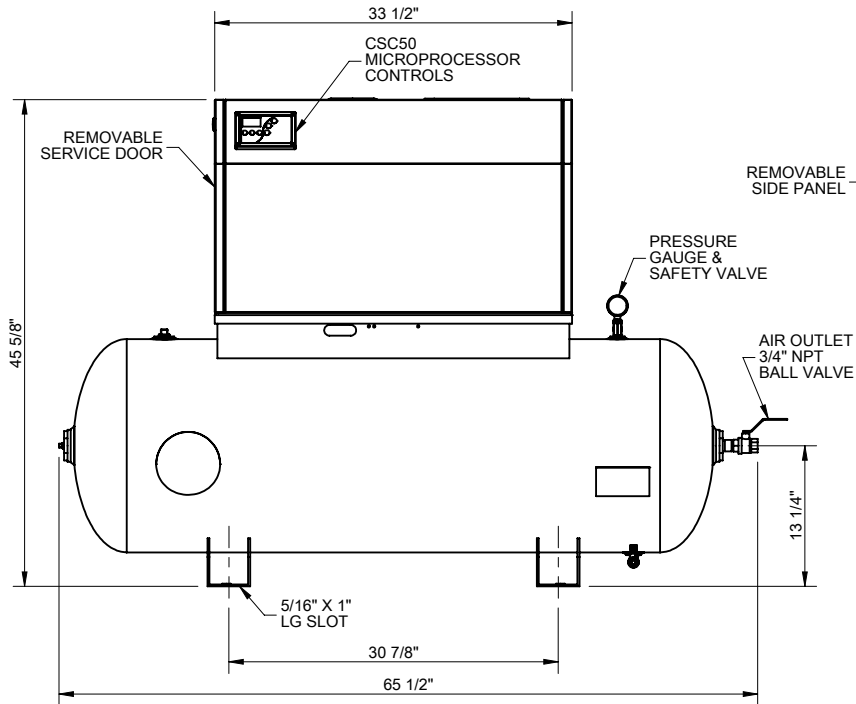
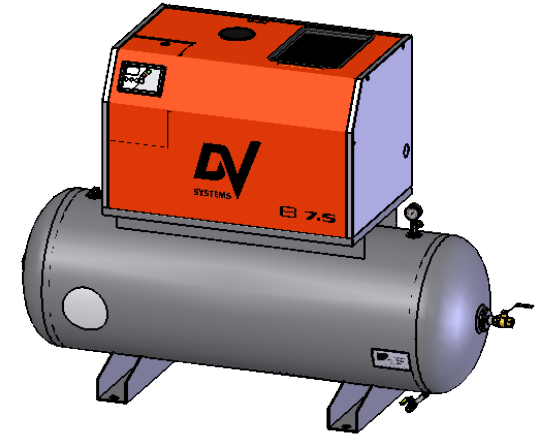
MODEL NO.	HP	PRESSURE PSI	SCFM @ 145PSI	NOMINAL SOUND @ 1 METRE	MOTOR AMP*					AIR RECEIVER GAL.	WEIGHT LBS
					230V/1/60	200V/3/60	230V/3/60	460V/3/60	575V/3/60		
B5T	5	125-145	18	63 dBA	23	15.3	13.2	6.6	5.3	80	657
B7.5T	7.5	125-145	27	66 dBA	36	22.2	19.4	9.7	7.8	80	685

*MOTOR NAMEPLATE AMP SHOWN



INSTALLATION REQUIREMENTS

1. MAINTAIN 3 FEET DISTANCE FROM WALLS AND OTHER OBJECTS FOR PURPOSE OF COOLING AND SERVICING.
2. COMPRESSOR MUST BE LEVEL AND ANCHORED DOWN TO SOLID LEVEL FLOOR.
3. AMBIENT CONDITIONS:
10°C (50°F) MIN. 40°C (104°F) MAX.
4. APPROACH TEMP. FROM TANK 5°C (41°F)

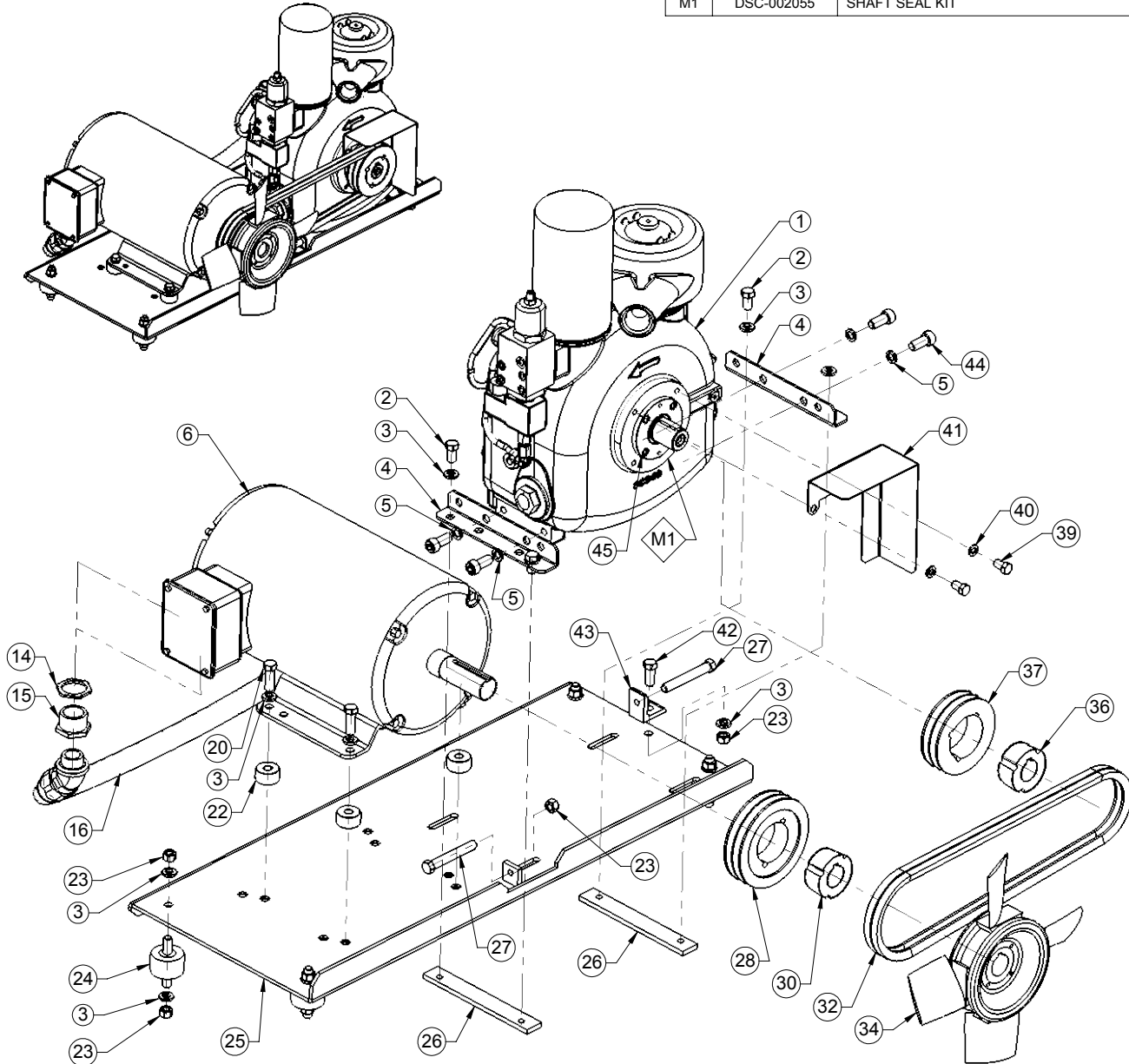


IMPORTANT NOTE: This print is the confidential property of DV SYSTEMS, INC. It is not to be used or reproduced in any manner, nor submitted to other parties for examination without the prior approval of DV SYSTEMS, INC. DV SYSTEMS, INC. is continually trying to improve its products, specifications subject to change without notice.



NAME OF PROJECT				DESCRIPTION OF DRAWING			
B5-7.5II SCREW COMPRESSOR				SALES-ENGINEERING DRAWING			
DRAWN BY	CHECKED BY	DATE	SCALE	DRAWING NO.	SHT NO	REV.	
LT		1/04/16	N.T.S	B5IIT B7.5IIT			

MAINTENANCE KIT			NO.	PART NUMBER	DESCRIPTION	QTY.
M1	DSC-002055	SHAFT SEAL KIT	1	DSC-002053	B-SERIES AIR END 24V	1



NO.	PART NUMBER	DESCRIPTION	QTY.
1	DSC-002053	B-SERIES AIR END 24V	1
2	SS-23	3/8-16 X 3/4 HHCS B/M	4
3	SS-1502	3/8" LOCKWASHER	17
4	DSC-001540	B5-7.5 AIR END MOUNTING ANGLE	2
5	SS-1515	M10 HC LOCKWASHER	4
6	MO-9025	MOTOR 5HP 230/60/1	1
6	MO-6407	MOTOR 5HP 200/60/3	1
6	MO-6435	MOTOR 5HP 230/460/60/3	1
6	MO-6414	MOTOR 5HP 575/60/3	1
6	MO-9033	MOTOR 7.5HP 230/60/1	1
6	MO-6507	MOTOR 7.5HP 200/60/3	1
6	MO-6535	MOTOR 7.5HP 230/460/60/3	1
6	MO-6514	MOTOR 7.5HP 575/60/3	1
14	SS-9956	LOCK NUT 1" (7.5HP-3PH)	1
15	SS-9931	ELECTRICAL BUSHING 1" X 3/4" (7.5HP-3PH)	1
16	MH-9027	MOTOR HARNESS 5/230/1	1
16	MH-9028	MOTOR HARNESS 5/200-575/3, 7.5/460-575/3	1
16	MH-9029	MOTOR HARNESS 7.5/230/1	1
16	MH-9030	MOTOR HARNESS 7.5/200-230/3	1
20	SS-26	3/8-16 X 1-1/4 HHCS (5HP ONLY)	4
19	SS-23	3/8-16 X 3/4 HHCS (7.5HP ONLY)	4
22	SS-10012	SPACER 1-1/8" DIA X 5/8" (5HP ONLY)	4
23	SS-657	3/8-16 HEX NUT	10
24	DSC-001330	VIBRATION ISOLATOR	4
25	DSC-002242	B5-7.5II SUB BASE	1
26	DSC-001516	B5-7.5 HOLDING BAR	2
27	SS-34	3/8-16 X 3" HHCS	2
28	PU-9259	B5 MOTOR PULLEY	1
28	PU-9238	B7.5 MOTOR PULLEY	1
30	DSC-001558	B5 MOTOR BUSHING	1
30	DSC-613	B7.5 MOTOR BUSHING	1
32	DSC-002256	B5 BELT	2
32	DSC-002257	B7.5 BELT	2
34	DSC-001565	B5 FAN ASSEMBLY	1
34	DSC-001567	B7.5 FAN ASSEMBLY	1
36	DSC-001557	AIR END BUSHING	1
37	PU-9259	B5 AIR END PULLEY	1
37	PU-9261	B7.5 AIR END PULLEY	1
39	DSC-678	M8 X 16MM HHCS	2
40	SS-1503	5/16" LOCKWASHER	2
41	DSC-001555	B5-7.5 FINGER GUARD	1
42	SS-25	3/8-16 X 1" HHCS GR2	1
43	DSC-002210	ANGLE HRS 1-1/2" X 1-1/2" X 1/4"	1
44	SS-10025	M10 X 25MM SHCS	4
45	DSC-002534	FRONT COVER B-SERIES AIR END	1

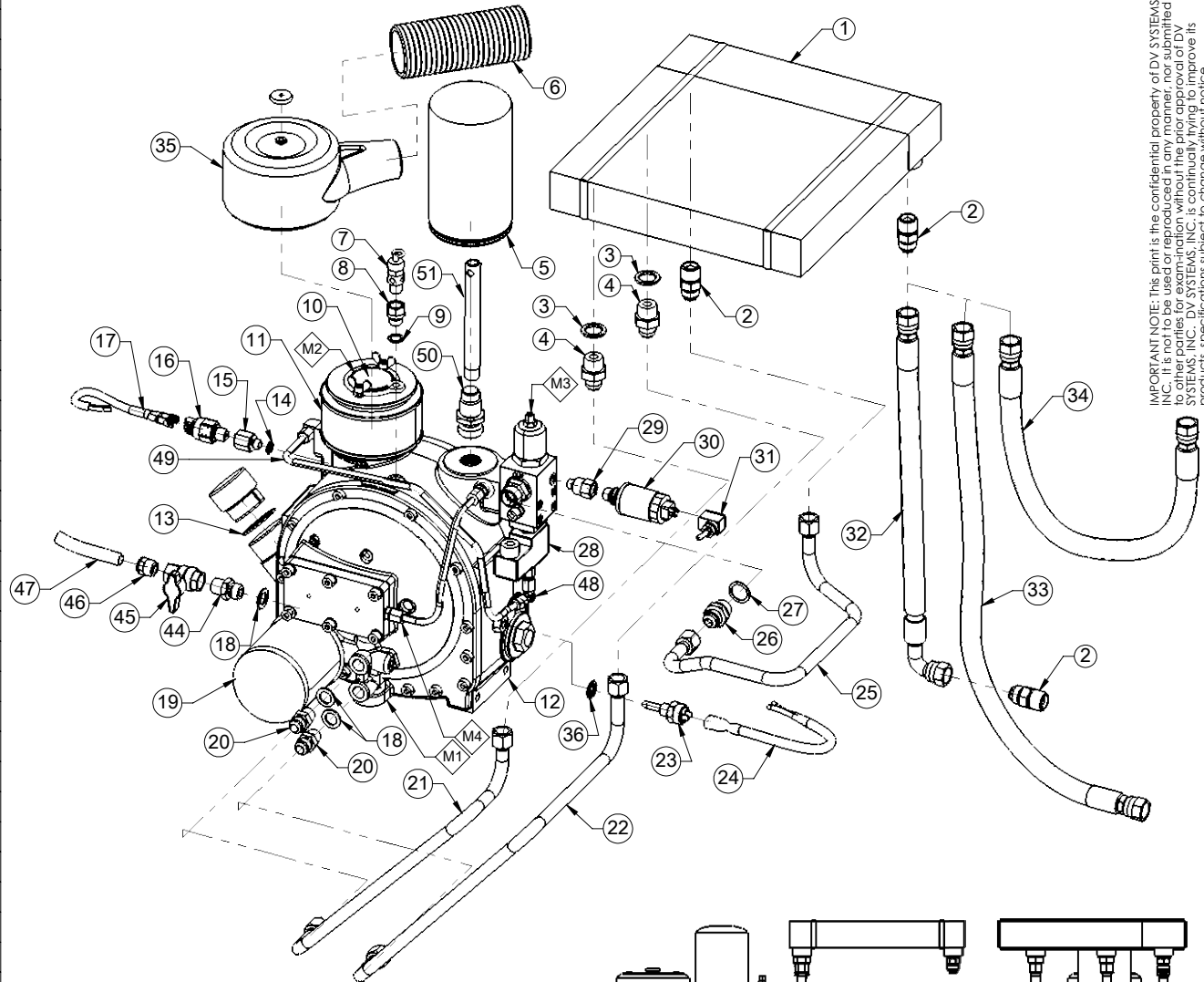
F	2/25/16	SS-9931,9956 REMOVED FROM 7.5HP-1PH	---
E	1/06/15	DSC-002534 ADDED	---
D	10/15/12	B-SERIES REDESIGN 1ST SN. 37895	12-17
C	5/31/12	STRAIGHTENING BOLT & BRACKET ADDED	12-14
REV.	DATE	REVISION DESCRIPTION	PCN NO.



NAME OF PROJECT				DESCRIPTION OF DRAWING			
B5-7.5 SCREW COMPRESSOR				DRIVE COMPONENTS			
DRAWN BY		CHECKED BY		DATE		SCALE	
LT				10/04/12		N.T.S	
				DRAWING NO.		SHT NO/REV.	
				B5 B7.5		D1 F	

IMPORTANT NOTE: This print is the confidential property of DV SYSTEMS, INC. It is not to be used or reproduced in any manner, nor submitted to other parties for examination without the prior approval of DV SYSTEMS, INC.

NO.	PART NUMBER	DESCRIPTION	QTY.
1	DSC-002221	B5-7.5 HEAT EXCHANGER	1
2	DSC-001353	ADAPTER 1/2"NPT(M) - JIC 8(M)	3
3	DSC-200	BONDED WASHER 1/2" BSPP	2
4	DSC-001214	ADAPTER 1/2"BSPP - JIC 8	2
5	DSC-002476	AIR/OIL SEPARATOR FILTER	1
6	DSC-002215	AIR INLET TUBE	1
7	TIA-5200	SAFETY VALVE 200PSI	1
8	DSC-001564	ADAPTER 1/4"BSPPM - 1/4"NPTF	1
9	DSC-001968	COPPER SEALING RING 1/4"BSPP	1
10	DSC-001572	B5-10 INTAKE VALVE	1
11	DSC-001569	B5-10 AIR FILTER	1
12	DSC-002053	B-SERIES AIR END 24V	1
13	DSC-002258	OIL CAP O-RING B5-10	1
14	DSC-001667	COPPER SEALING RING 1/8"BSPP	1
15	DSC-001659	ADAPTER 1/8"BSPPM - 1/4"NPTF	1
16	DSC-102	ANTI-ROTATION PRESSURE SWITCH	1
17	DSC-522	ANTI-ROTATION SWITCH CABLE	1
18	DSC-427	BONDED WASHER 3/8"	3
19	DSC-603	OIL FILTER	1
20	DSC-001563	ADAPTER 3/8"BSPPM - JIC8	2
21	DSC-002239	B5-7.5 OIL INLET TUBE	1
22	DSC-002238	B5-7.5 OIL OUTLET TUBE	1
23	DSC-001238	TEMPERATURE SENSOR CSC200300	1
24	DSC-001360	TEMPERATURE PROBE CABLE CSC200300	1
25	DSC-002237	B5-7.5 AIR HOSE TO COOLER	1
26	DSC-002220	ADAPTER-SH 1/2"BSPP - JIC 8	1
27	DSC-002219	COPPER WASHER 1/2"BSPP	1
28	DSC-001676	SOLENOID 24V	1
29	DSC-001568	ADAPTER 1/8"BSPPM - 1/4"BSPPF	1
30	DSC-001237	PRESSURE TRANSDUCER CSC200300	1
31	DSC-001366	PRESS. TRANSD. CABLE CSC200300	1
32	DSC-442	B5-7.5 AIR OUTLET HOSE (WITH DSC-001353)	1
33	DSC-002223	B5-7.5T AIR OUTLET HOSE	1
34	DSC-001729	B5-7.5TD AIR OUTLET HOSE	1
35	DSC-002463	AIR FILTER HOUSING B-SERIES	1
36	DSC-001217	BONDED WASHER 1/4" BSPP	1
44	DSC-002825	ADAPTER 3/8"BSPP(M) - 3/8"NPT(M)	1
45	DSC-002828	BALL VALVE 3/8" NPTF X 3/8" NPTF	1
46	DD-00091	3/8"NPT X 1/2"DIA PNEU. FITTING	1
47	R-8504	PE TUBING 1/2" OD	1
48	DSC-002870	ELBOW FITTING B-SERIES	1
49	DSC-002871	CONTROL LINE TUBE B-SERIES	1
50	DSC-002854	SEPARATOR FITTING B-SERIES	1
51	DSC-002855	SEPARATOR SPOUT B-SERIES II	1



IMPORTANT NOTE: This print is the confidential property of DV SYSTEMS, INC. It is not to be used or reproduced in any manner, nor submitted to other parties for examination without the prior approval of DV SYSTEMS, INC. DV SYSTEMS, INC. is continually trying to improve its products, specifications subject to change without notice

MAINTENANCE KITS		
NO	PART NUMBER	DESCRIPTION
M1	DSC-002057 DSC-001711	THERMO VALVE REPAIR KIT SN. >= 37214 THERMO VALVE REPAIR KIT SN. <= 37213
M2	DSC-001712	INTAKE VALVE REPAIR KIT
M3	DSC-001713	MINIMUM PRESSURE VALVE REPAIR KIT
M4	DSC-002058	ORIFICE & TUBE SN. >= 37214
---	MK-B57	2000 HR MAINTENANCE KIT

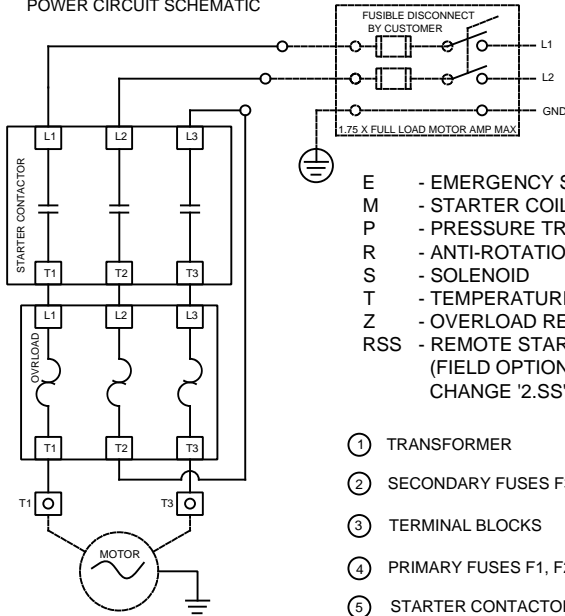
R	2/03/16	DSC-002854,002855 ADDED	---
Q	1/15/16	CONTROL LINE PARTS ADDED	16-01
P	6/23/15	DRAIN ASSEMBLY CHANGED	15-05
O	2/03/14	DSC-001968 WAS DSC-001217	14-03
REV.	DATE	REVISION DESCRIPTION	PCN NO.



NAME OF PROJECT				DESCRIPTION OF DRAWING			
B5-7.5 SCREW COMPRESSOR				SYSTEM COMPONENTS			
DRAWN BY		CHECKED BY		DATE		SCALE	
LT				06/23/15		N.T.S	
DRAWING NO.		SHT NO/REV.					
B5 B7.5		D2				R	

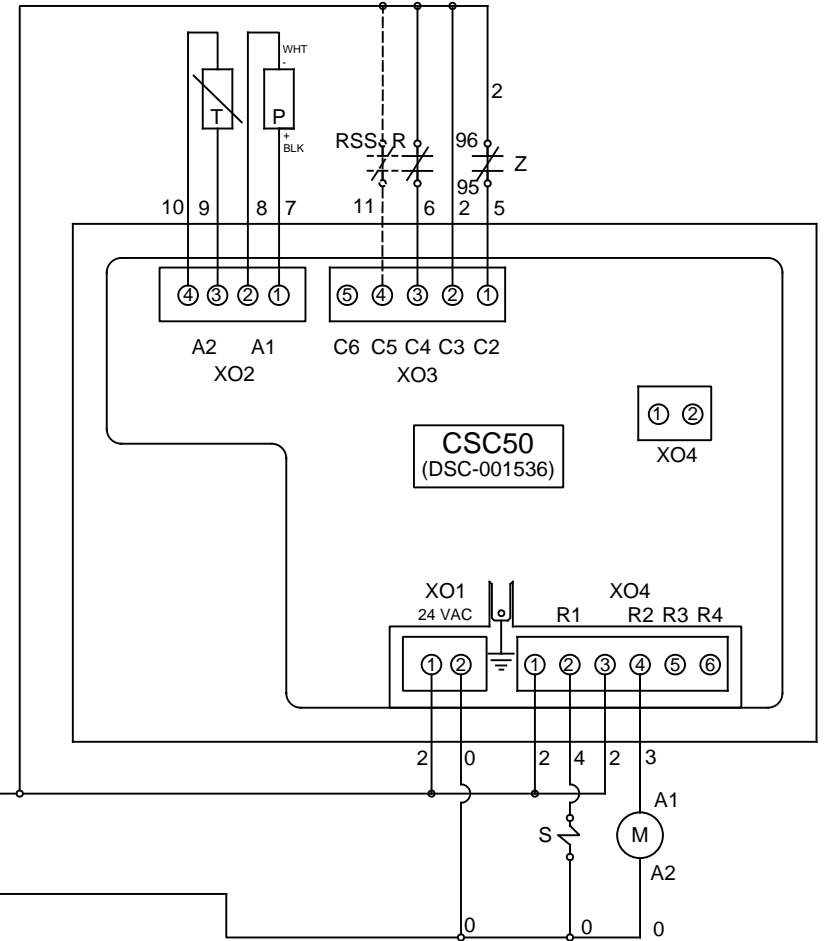
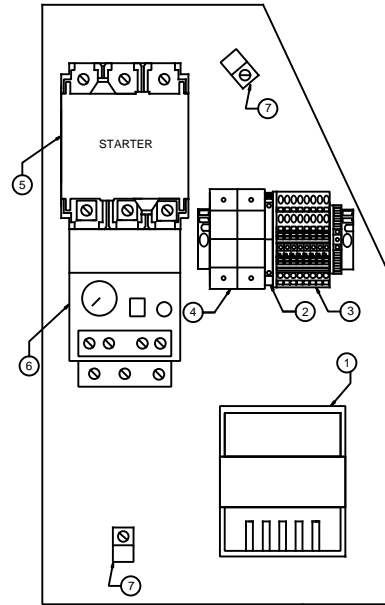
REV.	DATE	REVISION DESCRIPTION	PCN NO.
D	06/25/12	AUX. CONTACTS REMOVED	---
E	11/18/15	WIRING CHANGES	---
F	01/21/16	B7.5 575V OVLD SETTING CHANGED	16-02

POWER CIRCUIT SCHEMATIC



- E - EMERGENCY STOP
- M - STARTER COIL
- P - PRESSURE TRANSDUCER
- R - ANTI-ROTATION SWITCH
- S - SOLENOID
- T - TEMPERATURE SENSOR
- Z - OVERLOAD RELAY
- RSS - REMOTE START/STOP (FIELD OPTION. IF INSTALLED, CHANGE '2.SS' FROM 0 TO 2)

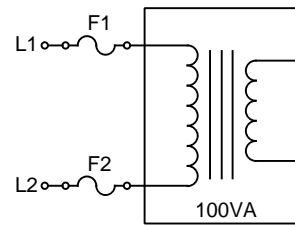
- ① TRANSFORMER
- ② SECONDARY FUSES F3
- ③ TERMINAL BLOCKS
- ④ PRIMARY FUSES F1, F2
- ⑤ STARTER CONTACTOR
- ⑥ OVERLOAD RELAY
- ⑦ GROUND LOGS



VOLTAGE	FUSE CHART						
	FUSE SIZE (AMPS)			OVERLOAD SETTINGS			
	CC CLASS TIME-DELAY	F1	F2	1PH SHP	1PH 7.5HP	3PH SHP	3PH 7.5HP
200	1	1	4	NA	NA	16	23
230	1	1	4	23	36	14	22
460	0.5	0.5	4	NA	NA	7	11
575	0.5	0.5	4	NA	NA	6	8.3

WARNING: REPLACE WITH THE SAME FUSE TYPE & RATING

PRIMARY VOLTAGE



IMPORTANT NOTE: This print is the confidential property of DV SYSTEMS, INC. It is not to be used or reproduced in any manner, nor submitted to other parties for examination without the prior approval of DV SYSTEMS, INC. DV SYSTEMS, INC. is continuously trying to improve its products, specifications subject to change without notice.

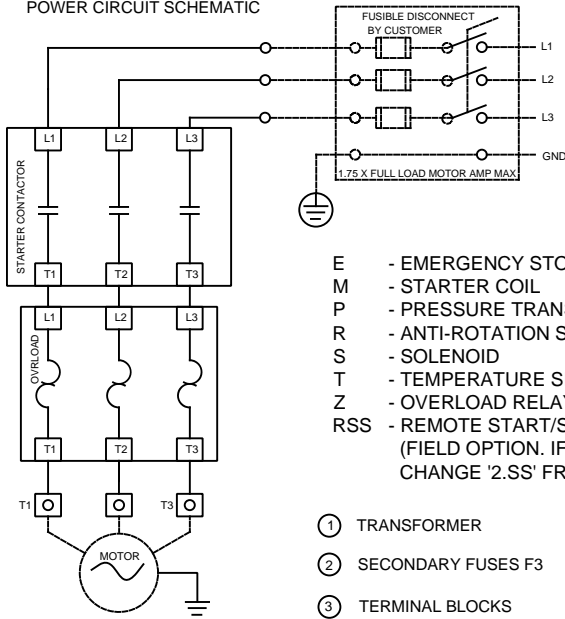
FRACTIONAL DIMENSIONS: ±1/32
 DECIMAL DIMENSION: ±.005
 ANGLES: ±1°
 *UNLESS OTHERWISE SPECIFIED



NAME OF PROJECT				DESCRIPTION OF DRAWING		
SCREW COMPRESSOR BII-SERIES SINGLE PHASE CONTROLS				ELECTRICAL SCHEMATICS WITH MICROPROCESSOR		
DRAWN BY		CHECKED BY	DATE	SCALE	DRAWING NO.	SHT NO/REV
CG			01/21/16	N.T.S.	CSC50	F

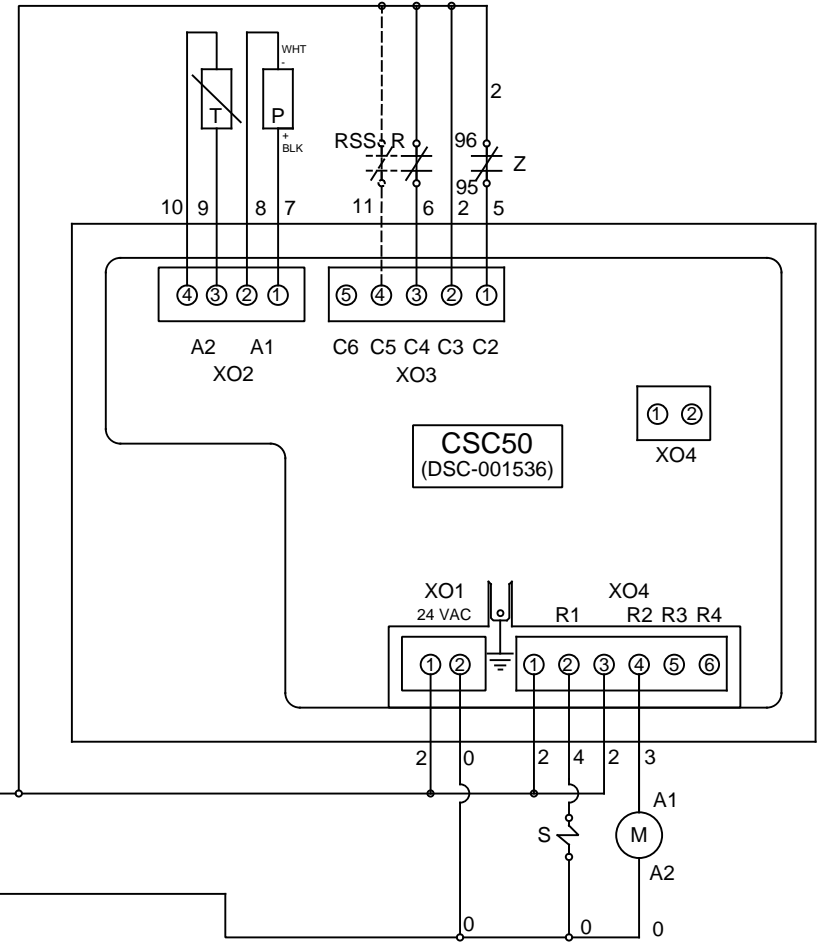
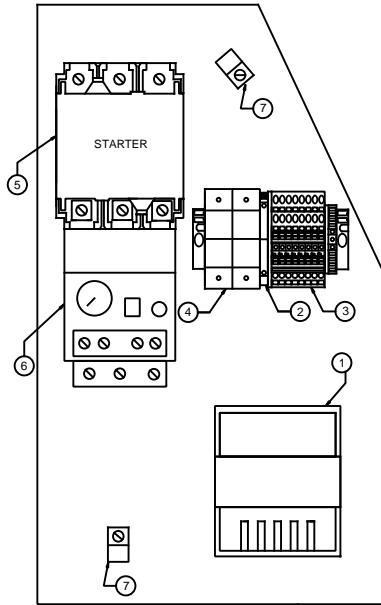
REV.	DATE	REVISION DESCRIPTION	PCN NO.
D	06/25/12	AUX. CONTACTS REMOVED	---
E	11/18/15	WIRING CHANGES	---
F	01/21/16	B7.5 575V OVLD SETTING CHANGED	16-02

POWER CIRCUIT SCHEMATIC



- E - EMERGENCY STOP
- M - STARTER COIL
- P - PRESSURE TRANSDUCER
- R - ANTI-ROTATION SWITCH
- S - SOLENOID
- T - TEMPERATURE SENSOR
- Z - OVERLOAD RELAY
- RSS - REMOTE START/STOP (FIELD OPTION. IF INSTALLED, CHANGE '2.SS' FROM 0 TO 2)

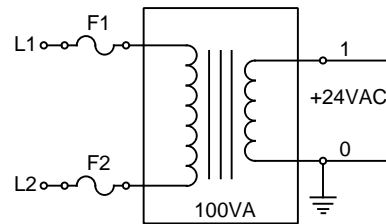
- ① TRANSFORMER
- ② SECONDARY FUSES F3
- ③ TERMINAL BLOCKS
- ④ PRIMARY FUSES F1, F2
- ⑤ STARTER CONTACTOR
- ⑥ OVERLOAD RELAY
- ⑦ GROUND LOGS



VOLTAGE	FUSE CHART						
	FUSE SIZE (AMPS)			OVERLOAD SETTING			
	1PH	2PH	3PH	5HP	7.5HP	10HP	15HP
200	1	1	4	NA	NA	16	23
230	1	1	4	23	36	14	22
460	0.5	0.5	4	NA	NA	7	11
575	0.5	0.5	4	NA	NA	6	8.3

WARNING: REPLACE WITH THE SAME FUSE TYPE & RATING

PRIMARY VOLTAGE



IMPORTANT NOTE: This print is the confidential property of DV SYSTEMS, INC. It is not to be used or reproduced in any manner, nor submitted to other parties for examination without the prior approval of DV SYSTEMS, INC. DV SYSTEMS, INC. is continuously trying to improve its products, specifications subject to change without notice.

FRACTIONAL DIMENSIONS: ±1/32
 DECIMAL DIMENSION: ±.005
 ANGLES: ±1°
 *UNLESS OTHERWISE SPECIFIED



NAME OF PROJECT				DESCRIPTION OF DRAWING		
SCREW COMPRESSOR BII-SERIES THREE PHASE CONTROLS				ELECTRICAL SCHEMATICS WITH MICROPROCESSOR		
DRAWN BY	CHECKED BY	DATE	SCALE	DRAWING NO.	SHT NO	REV
CG		01/21/16	N.T.S.	CSC50		F