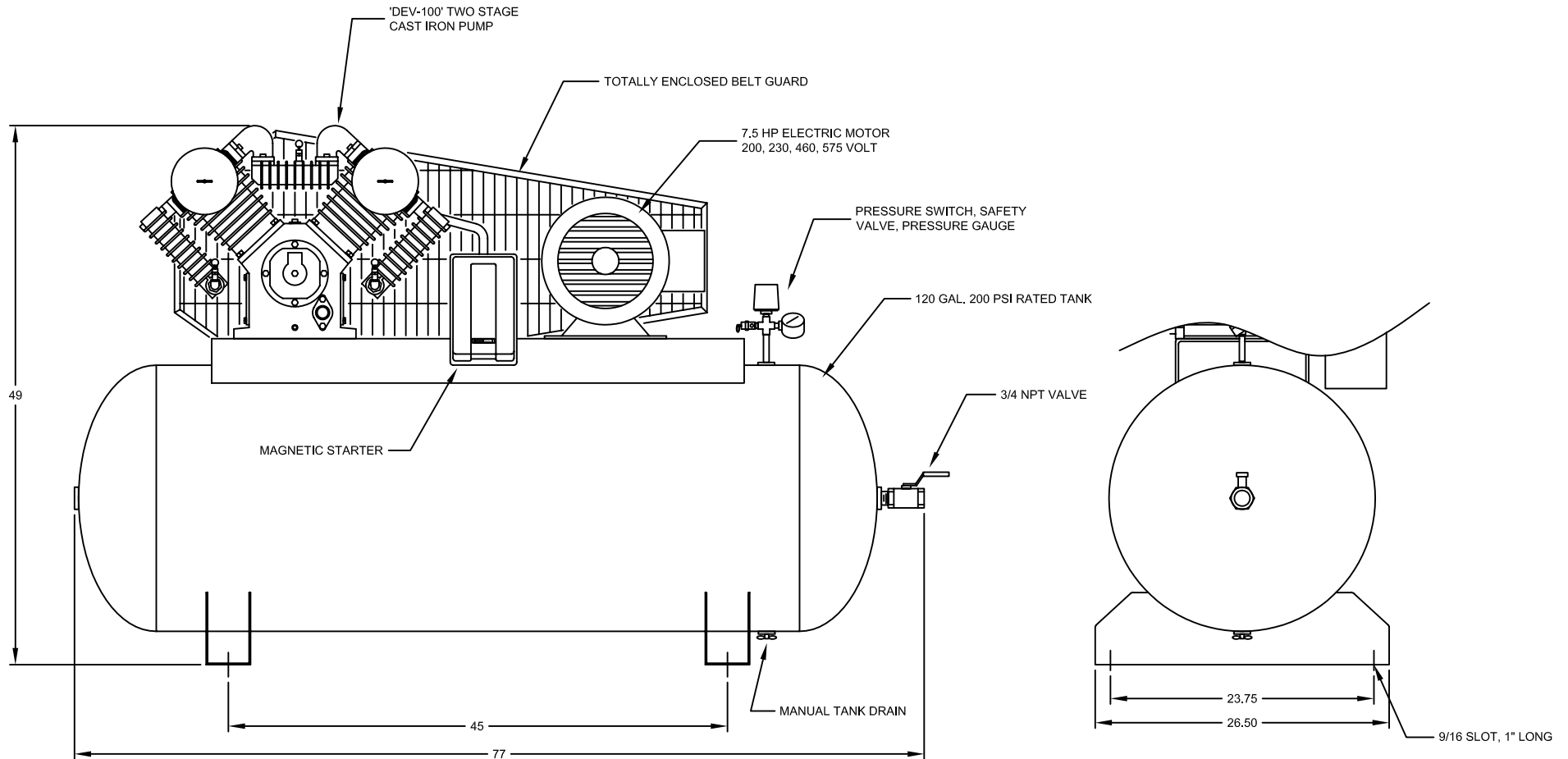


REV.	DATE	REVISION DESCRIPTION	PCN NO.
	7/06/10	NEW PRODUCT	10-39
A	2/08/11	DWG. SPEC. UPDATE	---



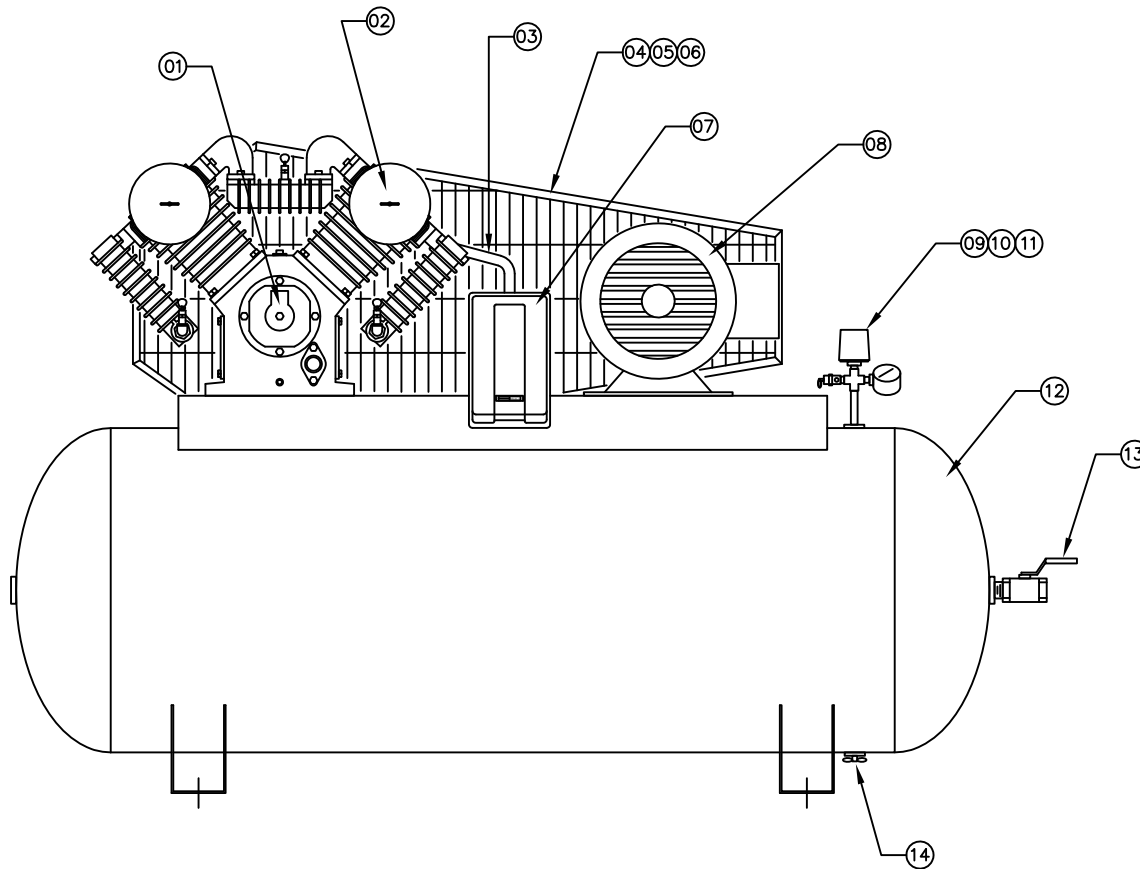
COMPRESSOR OUTFIT DATA				PRESSURE SETTING		RECEIVER CAPACITY		COMPRESSOR PUMP DATA			WEIGHT		ELECTRICAL						
MODEL	HP	DISPL. SCFM	DEL'Y SCFM	PSIG	KPA	GAL.	LITRS	TYPE	CYLD.	STAGE	RPM	LB.	KG.	VOLTAGE	230/1	200/3	230/3	460/3	575/3
IS7-100120	7.5	31.0	22.7	150	1035	120	454	DEV-100	4	2	570	920	417	F.L.A.	32.0	23.0	21.6	10.8	8.2

IMPORTANT NOTE: This print is the confidential property of DV SYSTEMS, INC. It is not to be used or reproduced in any manner, nor submitted to other parties for examination without the prior approval of DV SYSTEMS, INC. DV SYSTEMS, INC. is continually trying to improve its products, specifications subject to change without notice.



NAME OF PROJECT				DESCRIPTION OF DRAWING		
7.5 HP, 120 GAL., 150 PSI PRESSURE				COMPRESSOR OUTFIT		
DRAWN BY		CHECKED BY		DATE	SCALE	DRAWING NO.
LT				7/06/10	N.T.S.	IS7-100120
						SHT NO/REV
						A

REV.	DATE	REVISION DESCRIPTION	PCN NO.
	7/06/10	NEW PRODUCT	10-39
A	3/23/11	BELT TO BT-9030	----
B	5/17/11	BELT TO BT-9046	11-10



ITEM	PART NUMBER	QTY	DESCRIPTION
01	DEV-100	1	PUMP ASSEMBLY
02	PB-21176001	2	INTAKE FILTER ASSEMBLY
	PB-21177013	2	INTAKE FILTER ELEMENT
03	CT-9748	1	AFTERCOOLER TUBE
04	EG-9492	1	BELT GUARD ASSEMBLY
05	PU-9091	1	MOTOR PULLEY (6.35 OD, 1 1/8" BORE, 2B)
06	BT-9046	2	DRIVE BELT (B93)
07	MS-140-43	1	STARTER 230-60-1
	MS-340-43	1	STARTER 200/208-60-3
	MS-340-43	1	STARTER 230-60-3
	MS-340-45	1	STARTER 460-60-3
	MS-340-69	1	STARTER 575-60-3
08	MO-9033	1	MOTOR 230-60-1
	MO-6507	1	MOTOR 200/208-60-3
	MO-6535	1	MOTOR 230-60-3
	MO-6535	1	MOTOR 460-60-3
	MO-6514	1	MOTOR 575-60-3
09	SSS-9003U115150	1	PRESSURE SWITCH
10	GA-250	1	PRESSURE GAUGE
11	TIA-5200	1	SAFETY VALVE 200 PSI
12	TA-9463-1	1	TANK - 120 GAL. HORIZ.
13	VA-9705	1	BALL VALVE
14	SS-2707	1	DRAIN VALVE
15	CCV-9408	1	CHECK VALVE (NOT SHOWN)

IMPORTANT NOTE: This print is the confidential property of DV SYSTEMS, INC. It is not to be used or reproduced in any manner, nor submitted to other parties for examination without the prior approval of DV SYSTEMS, INC. DV SYSTEMS, INC. is continually trying to improve its products, specifications subject to change without notice.



NAME OF PROJECT				DESCRIPTION OF DRAWING		
7.5 HP INDUSTRIAL STANDARD UNIT C/W 'DEV-100' PUMP				COMPRESSOR OUTFIT		
DRAWN BY	CHECKED BY	DATE	SCALE	DRAWING NO.	SHT NO	REV
LT		7/06/10	N.T.S.	IS7-100120		B