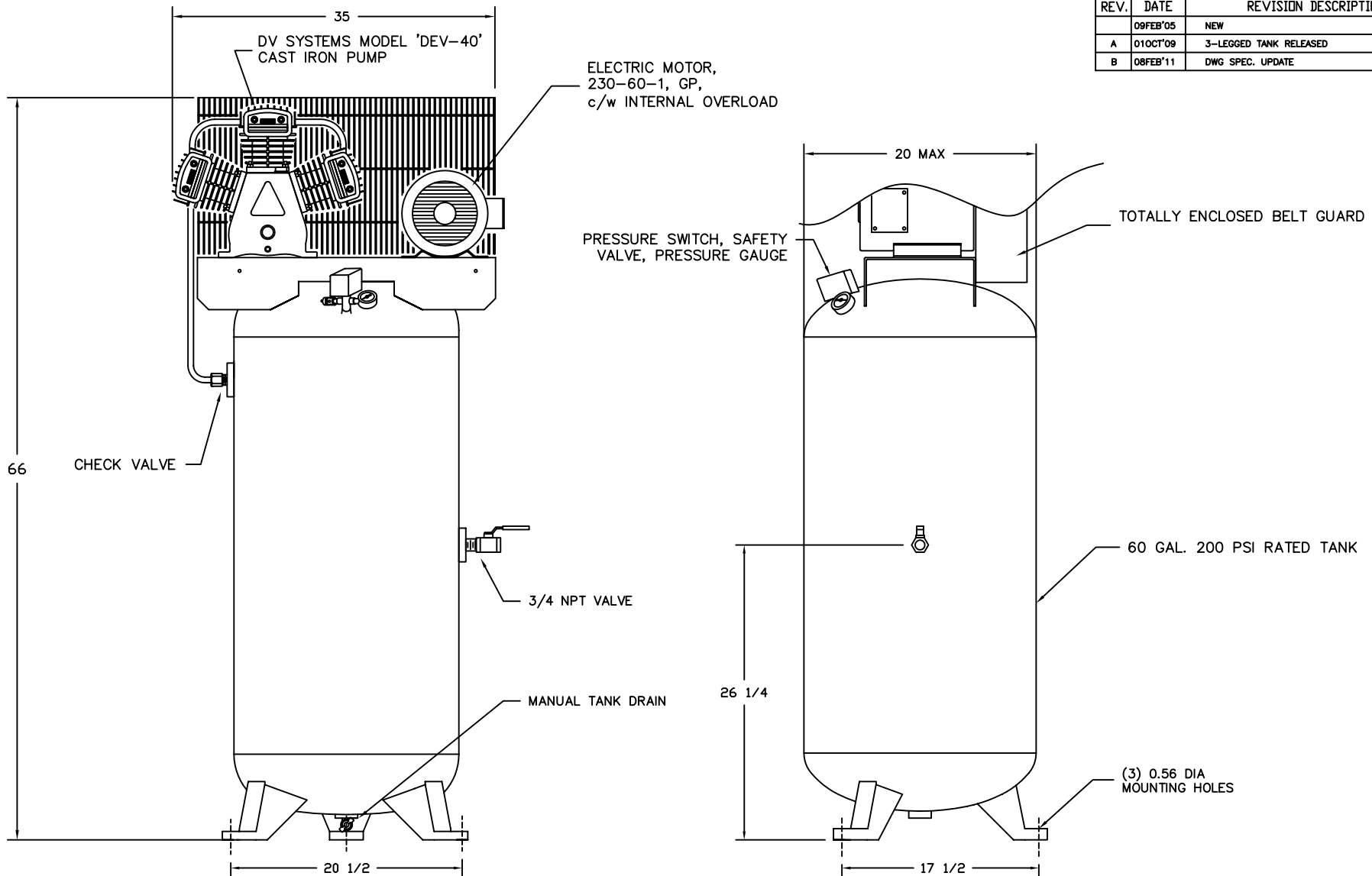


REV.	DATE	REVISION DESCRIPTION	PCN NO.
	09FEB'05	NEW	05-04
A	01OCT'09	3-LEGGED TANK RELEASED	09-21
B	08FEB'11	DWG SPEC. UPDATE	---



COMPRESSOR OUTFIT DATA				PRESSURE SETTING		RECEIVER CAPACITY		COMPRESSOR PUMP DATA			WEIGHT		ELECTRICAL		
MODEL	HP	DISPL SCFM	DEL'Y SCFM	PSIG	KPA	GAL.	LITRS	TYPE	CYLD.	STAGE	RPM	LB.	KG.	VOLTAGE	230/1
IS5-4060	5	21.0	13.0	125	863	60	226	DEV-40	3	1	1220	350	159	FULL LOAD AMP	19.5

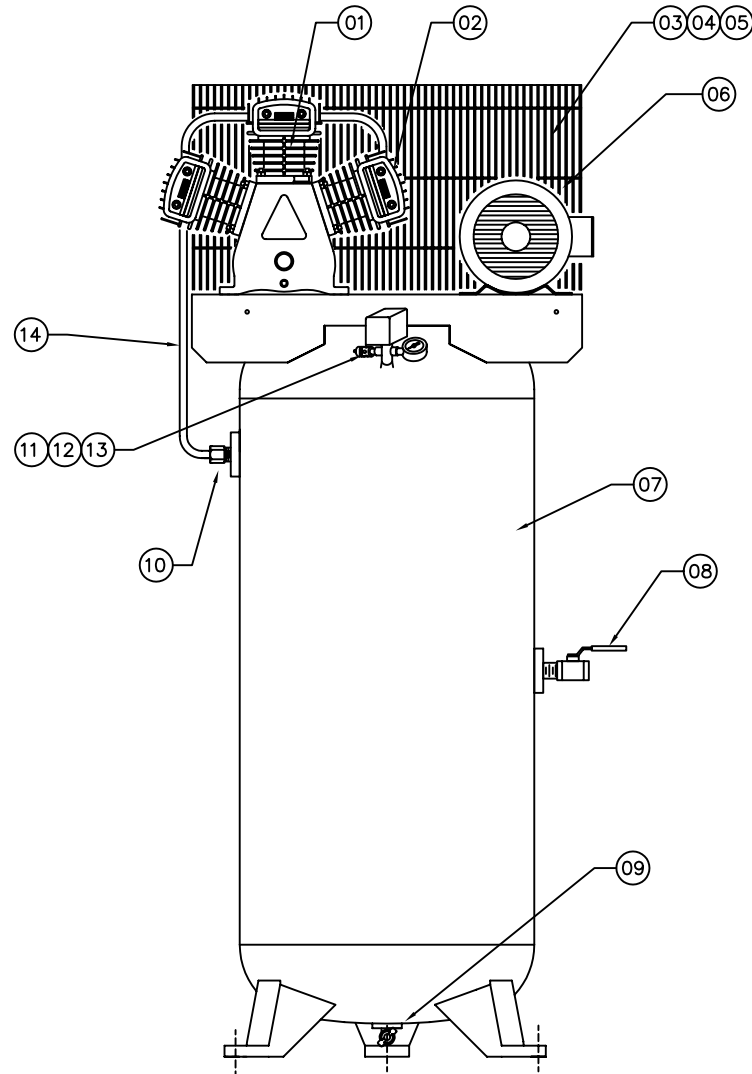
IMPORTANT NOTE: This print is the confidential property of DV SYSTEMS, INC. It is not to be used or reproduced in any manner, nor submitted to other parties for examination without the prior approval of DV SYSTEMS, INC. DV SYSTEMS, INC. is continually trying to improve its products, specifications subject to change without notice.

FRACTIONAL DIMENSIONS:  $\pm 1/32$   
DECIMAL DIMENSION:  $\pm 0.005$   
ANGLES:  $\pm 1'$   
\*UNLESS OTHERWISE SPECIFIED



NAME OF PROJECT				DESCRIPTION OF DRAWING	
5 HP, 60 GAL, 125 PSI PRESSURE				COMPRESSOR OUTFIT	
DRAWN BY		CHECKED BY		DATE	SCALE
W.BLOM				09FEB'05	N.T.S.
DRAWING NO.				SHT NO	REV
IS5-4060					B

REV.	DATE	REVISION DESCRIPTION	PCN NO.
	09FEB'05	NEW	05-04
A	24JUN'05	TIA-5140 WAS TIA-5200	05-15
B	01OCT'09	EG-9489 WAS EG-9493, BT-9039 WAS BT-9040	09-21



ITEM	PART NUMBER	QTY	DESCRIPTION
01	DEV-40	1	PUMP ASSEMBLY
02	PB-21175002	3	INTAKE FILTER ASSEMBLY
	PB-21177012	3	INTAKE FILTER ELEMENT
03	EG-9489	1	BELT GUARD ASSEMBLY
04	PU-9235	1	MOTOR PULLEY (4.45 OD, $\frac{5}{8}$ BORE, 1A)
05	BT-9039	1	DRIVE BELT (A53)
06	MO-9049	1	MOTOR 230-60-1
07	TA-9503	1	TANK - 60 GALLON VERT.
08	VA-9705	1	BALL VALVE
09	SS-2707	1	DRAIN VALVE
10	CCV-9401	1	CHECK VALVE
11	SSS-9003U115150	1	PRESSURE SWITCH
12	GA-250	1	PRESSURE GAUGE
13	TIA-5140	1	SAFETY VALVE 140 PSI
14	CT-9750	1	AFTERCOOLER TUBE

IMPORTANT NOTE: This print is the confidential property of DV SYSTEMS, INC. It is not to be used or reproduced in any manner, nor submitted to other parties for examination without the prior approval of DV SYSTEMS, INC. DV SYSTEMS, INC. is continually trying to improve its products, specifications subject to change without notice.

FRACTIONAL DIMENSIONS:  $\pm 1/32$   
 DECIMAL DIMENSION:  $\pm 0.005$   
 ANGLES:  $\pm 1'$   
 \*UNLESS OTHERWISE SPECIFIED



NAME OF PROJECT				DESCRIPTION OF DRAWING		
5 HP INDUSTRIAL STANDARD UNIT C/W 'DEV-40' PUMP				COMPRESSOR OUTFIT		
DRAWN BY		CHECKED BY	DATE	SCALE	DRAWING NO.	SHT NO/REV
W.BLOM			09FEB'05	N.T.S.	IS5-4060	B