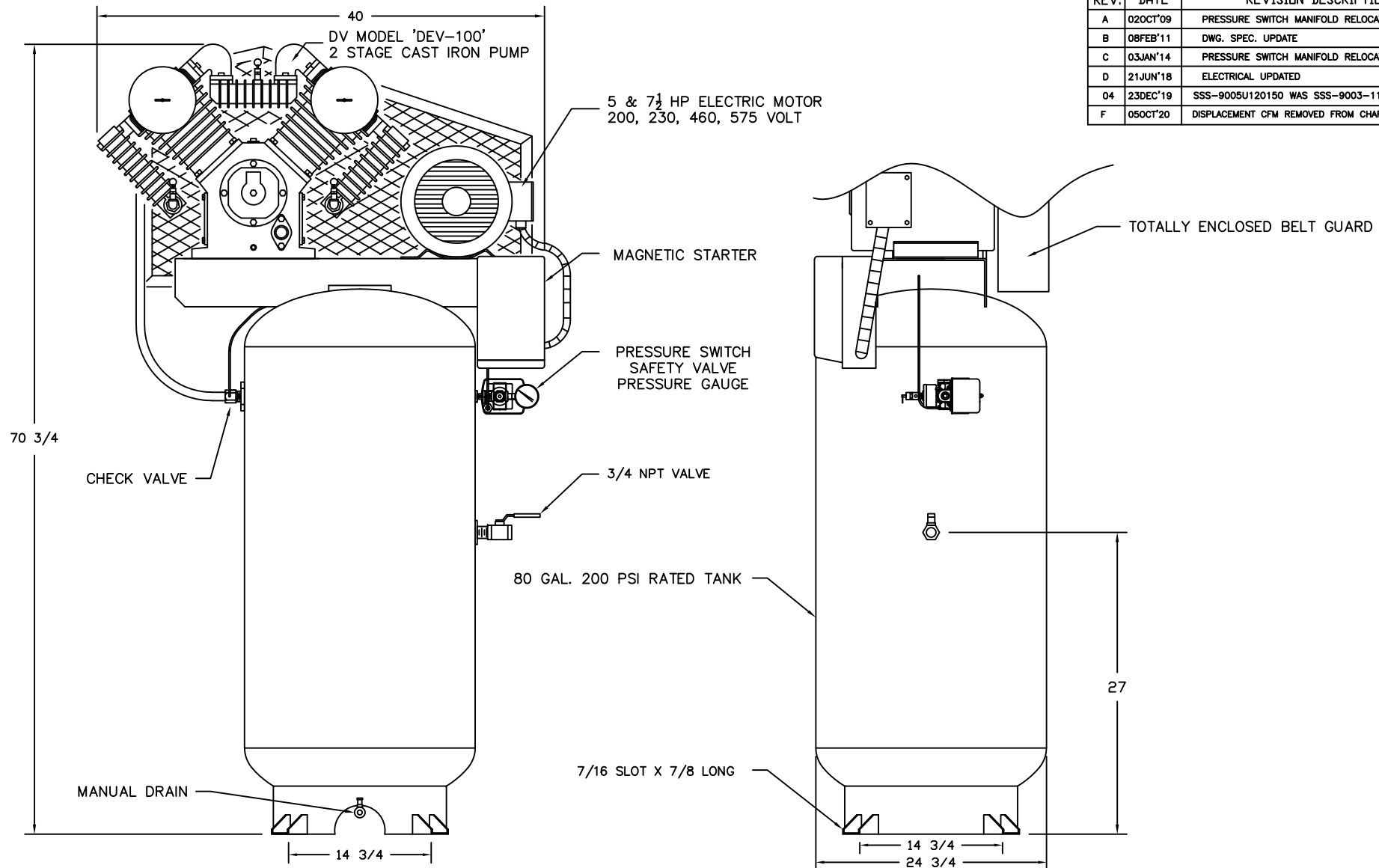


REV.	DATE	REVISION DESCRIPTION	ECN NO.
A	02OCT'09	PRESSURE SWITCH MANIFOLD RELOCATED	09-02B
B	08FEB'11	DWG. SPEC. UPDATE	---
C	03JAN'14	PRESSURE SWITCH MANIFOLD RELOCATED	---
D	21JUN'18	ELECTRICAL UPDATED	---
04	23DEC'19	SSS-9005U120150 WAS SSS-9003-115150 UPDATED	18-28
F	05OCT'20	DISPLACEMENT CFM REMOVED FROM CHART TABLE	1136291



COMPRESSOR OUTFIT DATA			PRESSURE SETTING		RECEIVER CAPACITY		COMPRESSOR PUMP DATA				WEIGHT		ELECTRICAL					
MODEL	HP	DEL'Y SCFM	PSIG	KPA	GAL.	LITRS	TYPE	CYLD.	STAGE	RPM	LB.	KG.	VOLTAGE	230/1	200/3	230/3	460/3	575/3
IS5-10080	5	18.0	150	1035	80	302	DEV-100	4	2	435	675	307	FULL LOAD AMP	23	15.3	13.2	6.6	5.3
IS7-10080	7.5	22.7	150	1035	80	302	DEV-100	4	2	570	720	327		36	23.3	19.4	9.7	8

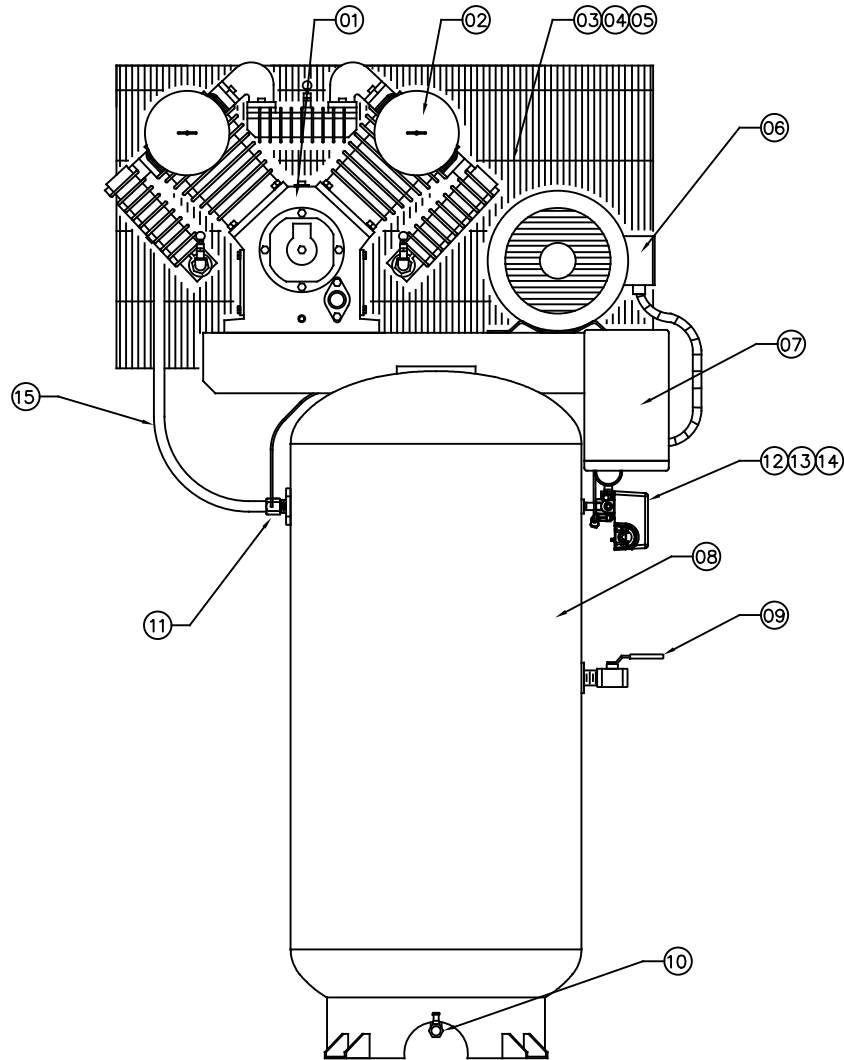
IMPORTANT NOTE: This print is the confidential property of GARDNER DENVER CANADA, CORP. It is not to be used or reproduced in any manner, nor submitted to other parties for examination without the prior approval of GARDNER DENVER CANADA, CORP. GARDNER DENVER CANADA, CORP. is continually trying to improve its products, specifications subject to change without notice.

FRACTIONAL DIMENSIONS: ±1/32  
 DECIMAL DIMENSION: ±.005  
 ANGLES: ±1°  
 \*UNLESS OTHERWISE SPECIFIED



NAME OF PROJECT				DESCRIPTION OF DRAWING			
SI PISTON COMPRESSOR				COMPRESSOR OUTFIT			
DRAWN BY		CHECKED BY		DATE		SCALE	
W.BLOM				09FEB'05		N.T.S.	
DRAWING NO.		SHT NO		REV			
IS5-10080 (5 HP)						F	
IS7-10080 (7.5 HP)							

REV.	DATE	REVISION DESCRIPTION	PCN NO.
	09FEB'05	NEW	05-04
D	27APR'12	VA-9411 WAS SS-2707	12-10
E	01AUG'14	MO-9025 ADDED, WAS MO-6425	14-21
F	12OCT'18	EG-9495 ADDED, WAS EG-9491	13-09
		ADDED SSS-9005U120150 WAS SSS-9003U115150 SN =>092488	18-28



ITEM	PART NUMBER		QTY	DESCRIPTION
	IS5-10080 UNIT	IS7-10080 UNIT		
01	DEV-100		1	PUMP ASSEMBLY
02	PB-21176001		2	INTAKE FILTER ASSEMBLY
	PB-21177013		2	INTAKE FILTER ELEMENT
03	EG-9495		1	BELT GUARD ASSEMBLY
04	PU-9236		1	MOTOR PULLEY (4.95 OD, 1 1/8" BORE, 2B)
		PU-9091	1	MOTOR PULLEY (6.35 OD, 1 1/8" BORE, 2B)
05	BT-9041	BT-9041	2	DRIVE BELT (B74)
06	MO-9025	MO-9033	1	MOTOR 230-60-1
	MO-6407	MO-6507	1	MOTOR 200/208-60-3
	MO-6435	MO-6535	1	MOTOR 230-60-3
	MO-6435	MO-6535	1	MOTOR 460-60-3
	MO-6414	MO-6514	1	MOTOR 575-60-3
07	MS-140-03		1	STARTER 230-60-1
	MS-340-43		1	STARTER 200/208-60-3
	MS-340-43		1	STARTER 230-60-3
	MS-340-45		1	STARTER 460-60-3
	MS-340-69		1	STARTER 575-60-3
08	TA-9501		1	TANK - 80 GALLON VERT.
09	VA-9705		1	BALL VALVE
10	VA-9411		1	DRAIN VALVE
11	CCV-9406		1	CHECK VALVE
12	SSS-9005U120150		1	PRESSURE SWITCH
13	GA-250		1	PRESSURE GAUGE
14	TIA-5200		1	SAFETY VALVE 200 PSI
15	CT-9749		1	AFTERCOOLER TUBE

IMPORTANT NOTE: This print is the confidential property of DV SYSTEMS, INC. It is not to be used or reproduced in any manner, nor submitted to other parties for examination without the prior approval of DV SYSTEMS, INC. DV SYSTEMS, INC. is continually trying to improve its products, specifications subject to change without notice.

FRACTIONAL DIMENSIONS: ±1/32  
 DECIMAL DIMENSION: ±.005  
 ANGLES: ±1°  
 \*UNLESS OTHERWISE SPECIFIED



NAME OF PROJECT				DESCRIPTION OF DRAWING		
5 & 7.5 HP INDUSTRIAL STANDARD UNIT C/W 'DEV-100' PUMP				COMPRESSOR OUTFIT		
DRAWN BY		CHECKED BY	DATE	SCALE	DRAWING NO.	SHT NO/REV
W.BLOM			09FEB'05	N.T.S.	IS5-10080 (5 HP) IS7-10080 (7.5 HP)	F