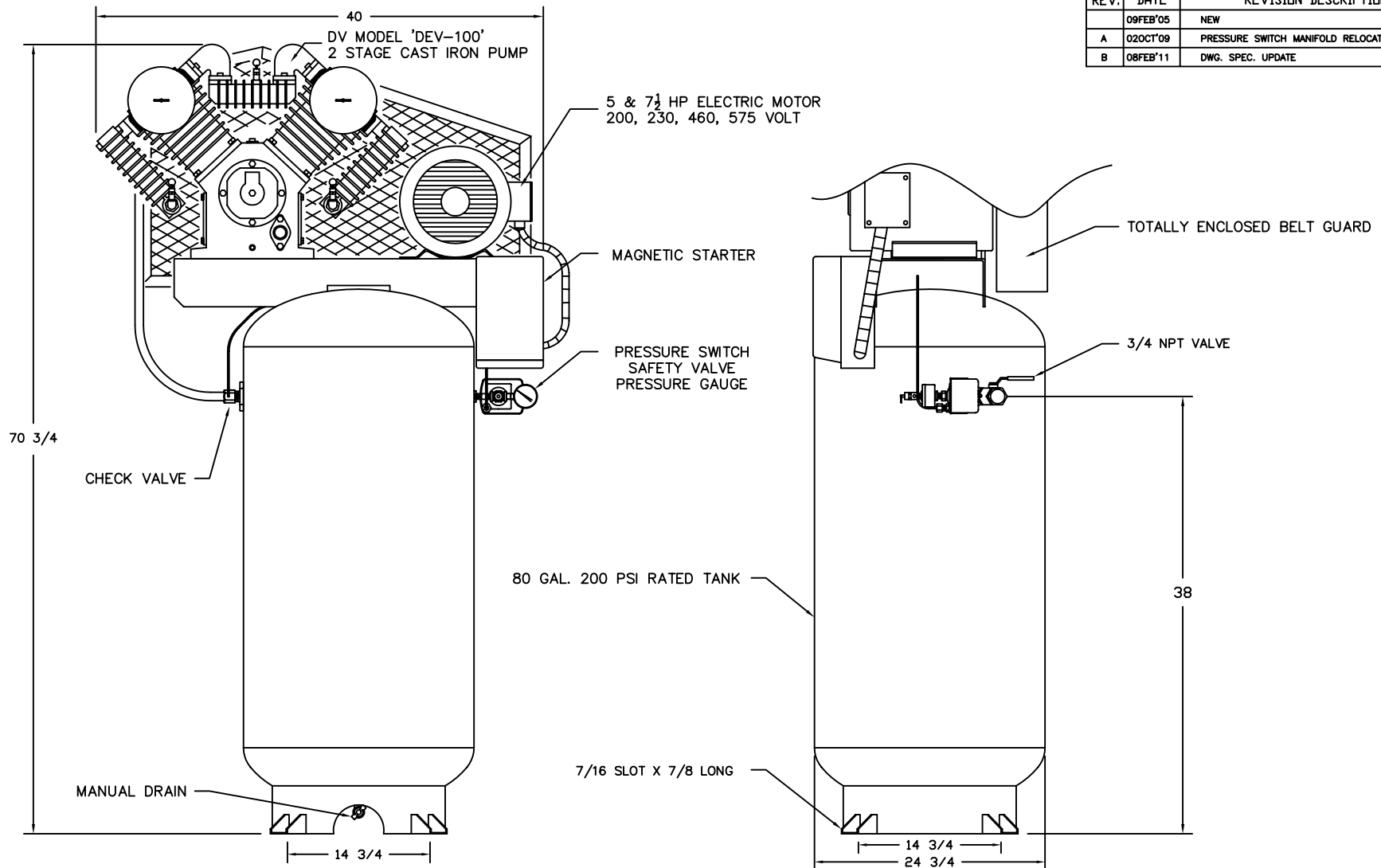


REV.	DATE	REVISION DESCRIPTION	PCN NO.
	09FEB'05	NEW	05-04
A	02OCT'09	PRESSURE SWITCH MANIFOLD RELOCATED	09-02B
B	08FEB'11	DWG. SPEC. UPDATE	---



COMPRESSOR OUTFIT DATA				PRESSURE SETTING		RECEIVER CAPACITY		COMPRESSOR PUMP DATA				WEIGHT		ELECTRICAL					
MODEL	HP	DISPL. SCFM	DEL'Y SCFM	PSIG	KPA	GAL.	LITRS	TYPE	CYLD.	STAGE	RPM	LB.	KG.	VOLTAGE	230/1	200/3	230/3	460/3	575/3
IS5-10080	5	23.5	18.0	150	1035	80	302	DEV-100	4	2	435	675	307	FULL LOAD AMP	25.0	15.4	13.2	6.6	5.3
IS7-10080	7.5	31.0	22.7	150	1035	80	302	DEV-100	4	2	570	720	327		31.0	23.0	21.6	10.8	8.2

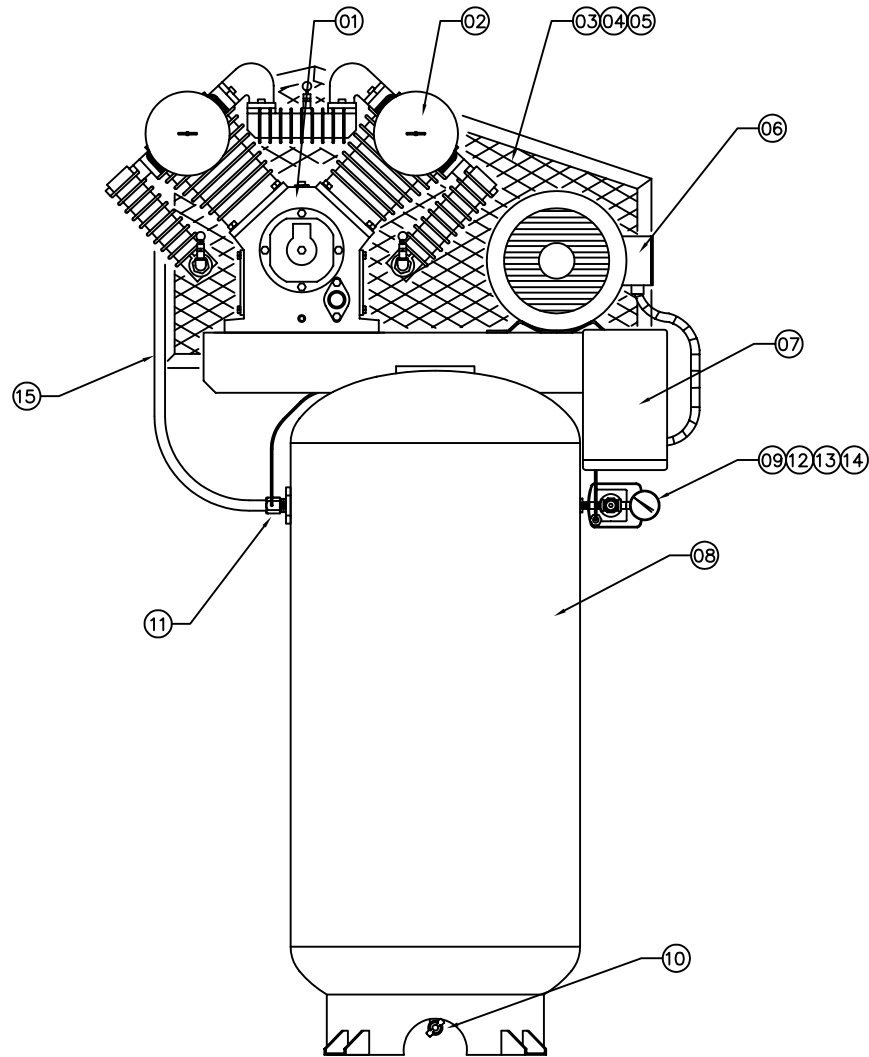
IMPORTANT NOTE: This print is the confidential property of DV SYSTEMS, INC. It is not to be used or reproduced in any manner, nor submitted to other parties for examination without the prior approval of DV SYSTEMS, INC. DV SYSTEMS, INC. is continually trying to improve its products, specifications subject to change without notice.

FRACTIONAL DIMENSIONS:  $\pm 1/32$   
 DECIMAL DIMENSION:  $\pm .005$   
 ANGLES:  $\pm 1'$   
 \*UNLESS OTHERWISE SPECIFIED



NAME OF PROJECT				DESCRIPTION OF DRAWING			
5 & 7.5 HP, 80 GAL, 150 PSI PRESS.				COMPRESSOR OUTFIT			
DRAWN BY		CHECKED BY		DATE		SCALE	
W.BLOM				09FEB'05		N.T.S.	
				DRAWING NO.		SHT NO/REV	
				IS5-10080 (5 HP)		IS7-10080 (7.5 HP)	
						B	

REV.	DATE	REVISION DESCRIPTION	PCN NO.
	09FEB'05	NEW	05-04
B	11DEC'09	MO-6425 ADDED, WAS MO-9025	09-40
C	08FEB'11	MANIFOLD ORIENTATION	---



ITEM	PART NUMBER		QTY	DESCRIPTION
	IS5-10080 UNIT	IS7-10080 UNIT		
01	DEV-100		1	PUMP ASSEMBLY
02	PB-21176001		2	INTAKE FILTER ASSEMBLY
	PB-21177013		2	INTAKE FILTER ELEMENT
03	EG-9491		1	BELT GUARD ASSEMBLY
04	PU-9236		1	MOTOR PULLEY (4.95 OD, 1 1/8" BORE, 2B)
		PU-9091	1	MOTOR PULLEY (6.35 OD, 1 1/8" BORE, 2B)
05	BT-9041	BT-9041	2	DRIVE BELT (B74)
06	MO-6425	MO-9033	1	MOTOR 230-60-1
	MO-6407	MO-6507	1	MOTOR 200/208-60-3
	MO-6435	MO-6535	1	MOTOR 230-60-3
	MO-6435	MO-6535	1	MOTOR 460-60-3
	MO-6414	MO-6514	1	MOTOR 575-60-3
	07	MS-140-03		1
	MS-340-43		1	STARTER 200/208-60-3
	MS-340-43		1	STARTER 230-60-3
	MS-340-45		1	STARTER 460-60-3
	MS-340-69		1	STARTER 575-60-3
08	TA-9501		1	TANK - 80 GALLON VERT.
09	VA-9705		1	BALL VALVE
10	SS-2727		1	DRAIN VALVE
11	CCV-9406		1	CHECK VALVE
12	SSS-9003U115150		1	PRESSURE SWITCH
13	GA-250		1	PRESSURE GAUGE
14	TIA-5200		1	SAFETY VALVE 200 PSI
15	CT-9749		1	AFTERCOOLER TUBE

IMPORTANT NOTE: This print is the confidential property of DV SYSTEMS, INC. It is not to be used or reproduced in any manner, nor submitted to other parties for examination without the prior approval of DV SYSTEMS, INC. DV SYSTEMS, INC. is continually trying to improve its products, specifications subject to change without notice.

FRACTIONAL DIMENSIONS: ±1/32  
 DECIMAL DIMENSION: ±.005  
 ANGLES: ±1°  
 \*UNLESS OTHERWISE SPECIFIED



NAME OF PROJECT				DESCRIPTION OF DRAWING		
5 & 7.5 HP INDUSTRIAL STANDARD UNIT C/W 'DEV-100' PUMP				COMPRESSOR OUTFIT		
DRAWN BY		CHECKED BY	DATE	SCALE	DRAWING NO.	SHT NO/REV
W.BLOM			09FEB'05	N.T.S.		C
					IS5-10080 (5 HP)	
					IS7-10080 (7.5 HP)	