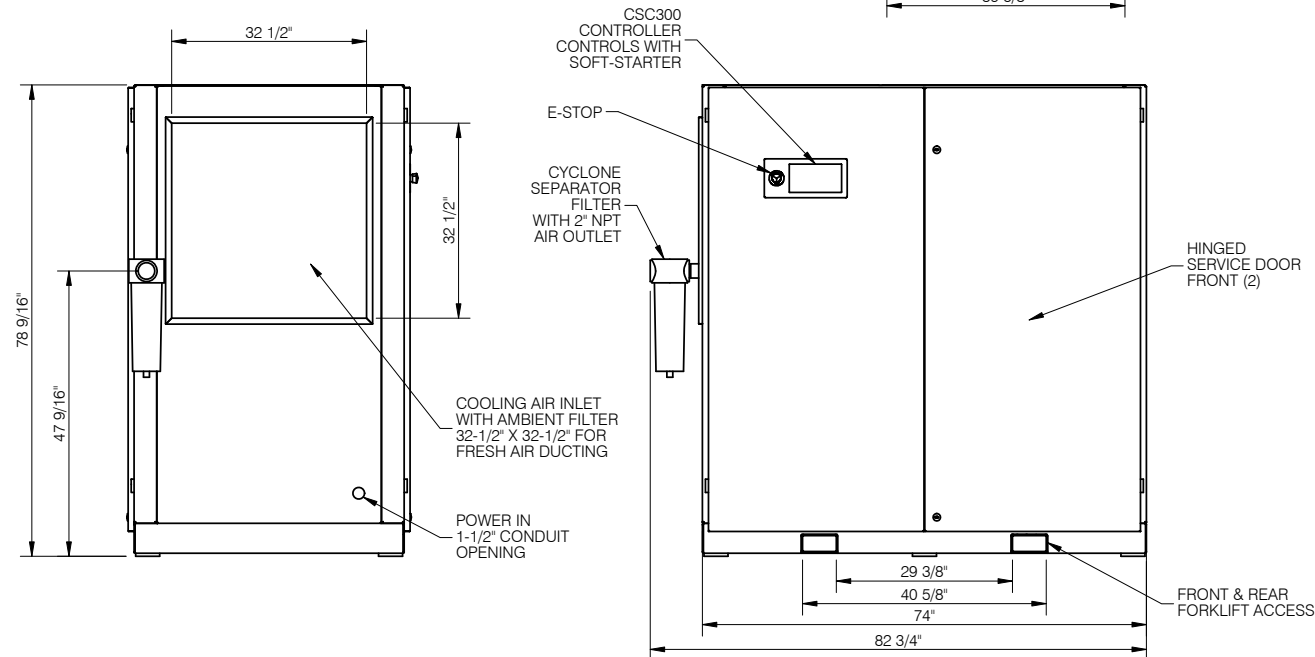
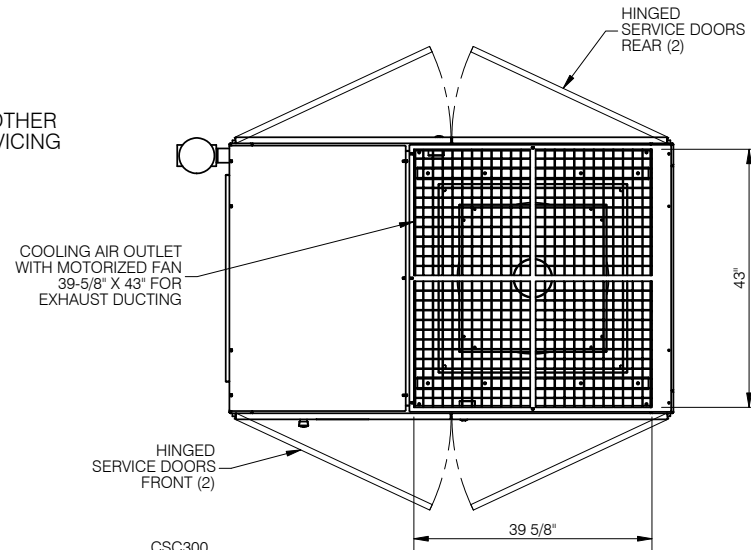


MODEL NO.	HP	OPERATING PRESSURE PSI	SCFM	MOTOR & AIR END RPM	NOMINAL SOUND @ 1 METRE	MOTOR NAMEPLATE AMP		FILTER ELEMENT	WEIGHT LBS
						460V	575V		
J75	75	125	290	3560	74	83	66	CYCLONE	2858
		135	278						

INSTALLATION REQUIREMENTS

1. MAINTAIN 4 FEET DISTANCE FROM WALLS AND OTHER OBJECTS FOR PURPOSE OF COOLING AND SERVICING
2. COMPRESSOR MUST BE LEVEL AND ANCHORED TO SOLID LEVEL FLOOR
3. AMBIENT CONDITIONS:
10°C (50°F) MIN. 40°C (104°F) MAX.

DISCONNECT FUSE TABLE			
VOLTAGE	PHASE	FUSE TYPE	FUSE AMP
460	3	J TIME-DELAY (AJT)	125
575			100



IMPORTANT NOTE: This print is the confidential property of DV SYSTEMS, INC. It is not to be used or reproduced in any manner, nor submitted to other parties for examination without the prior approval of DV SYSTEMS, INC. DV SYSTEMS, INC. is continually trying to improve its products, specifications subject to change without notice.



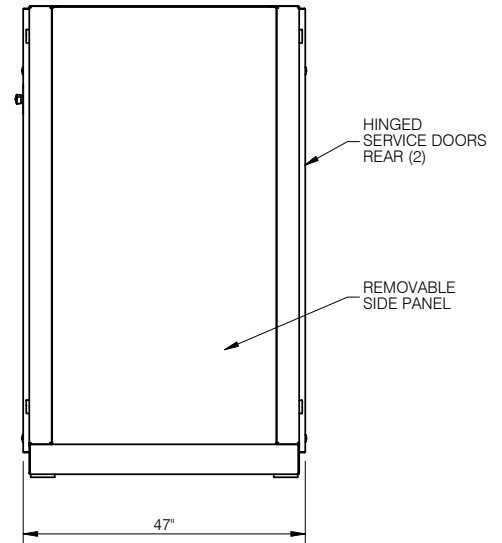
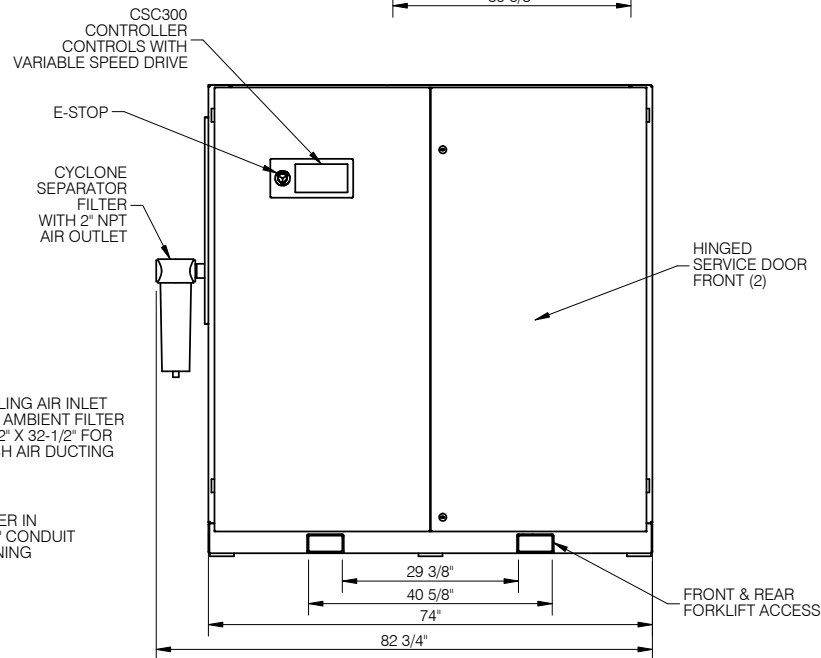
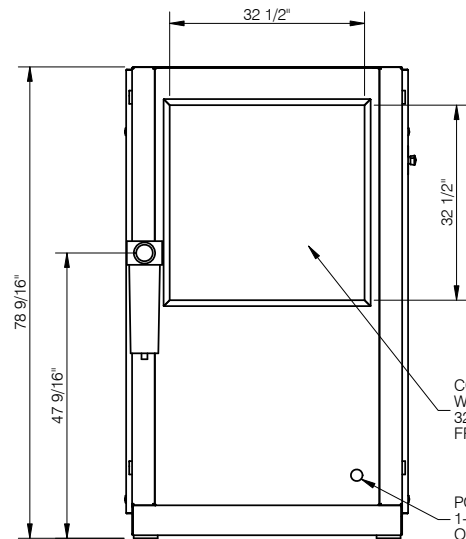
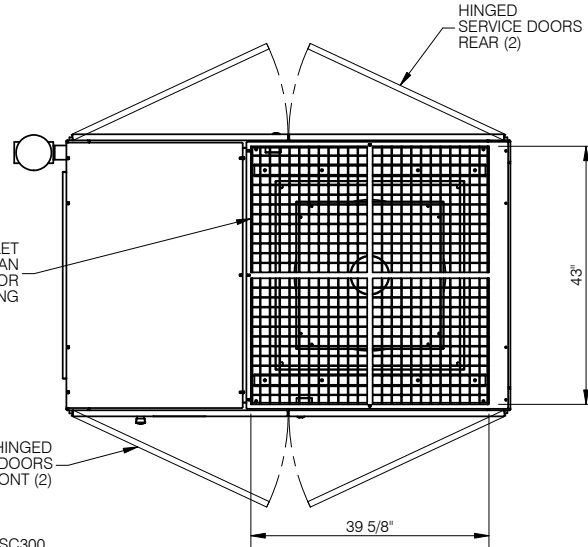
NAME OF PROJECT				DESCRIPTION OF DRAWING	
J75 FIXED SPEED COMPRESSOR WITH SOFT-STARTER				SALES-ENGINEERING DRAWING	
DRAWN BY		CHECKED BY	DATE	SCALE	DRAWING NO.
LT			10/19/16	N.T.S	J75-SOFT
					SHT NO/REV

MODEL NO.	HP	OPERATING PRESSURE PSI	SCFM	AIR END RPM	MOTOR RPM	NOMINAL SOUND @ 1 METRE	MOTOR NAMEPLATE AMP			FILTER ELEMENT	WEIGHT LBS
							230V	460V	575V		
J75VSD	75	100	341	4200	3560	74	167.5	84	66.9	CYCLONE	2858
		150	285	3600							
		175	265	3300							

INSTALLATION REQUIREMENTS

1. MAINTAIN 4 FEET DISTANCE FROM WALLS AND OTHER OBJECTS FOR PURPOSE OF COOLING AND SERVICING
2. COMPRESSOR MUST BE LEVEL AND ANCHORED TO SOLID LEVEL FLOOR
3. POWER SUPPLY TO THE UNIT MUST BE SYMMETRICAL THREE-PHASE POWER WITH A WYE AND GROUNDED NEUTRAL CONFIGURATION
4. AMBIENT CONDITIONS:
10°C (50°F) MIN. 40°C (104°F) MAX.

VOLTAGE	PHASE	FUSE TYPE	FUSE AMP
230	3	J FAST-ACTING (HSJ)	200
460			100
575			80



IMPORTANT NOTE: This print is the confidential property of DV SYSTEMS, INC. It is not to be used or reproduced in any manner, nor submitted to other parties for examination without the prior approval of DV SYSTEMS, INC. DV SYSTEMS, INC. is continually trying to improve its products, specifications subject to change without notice.

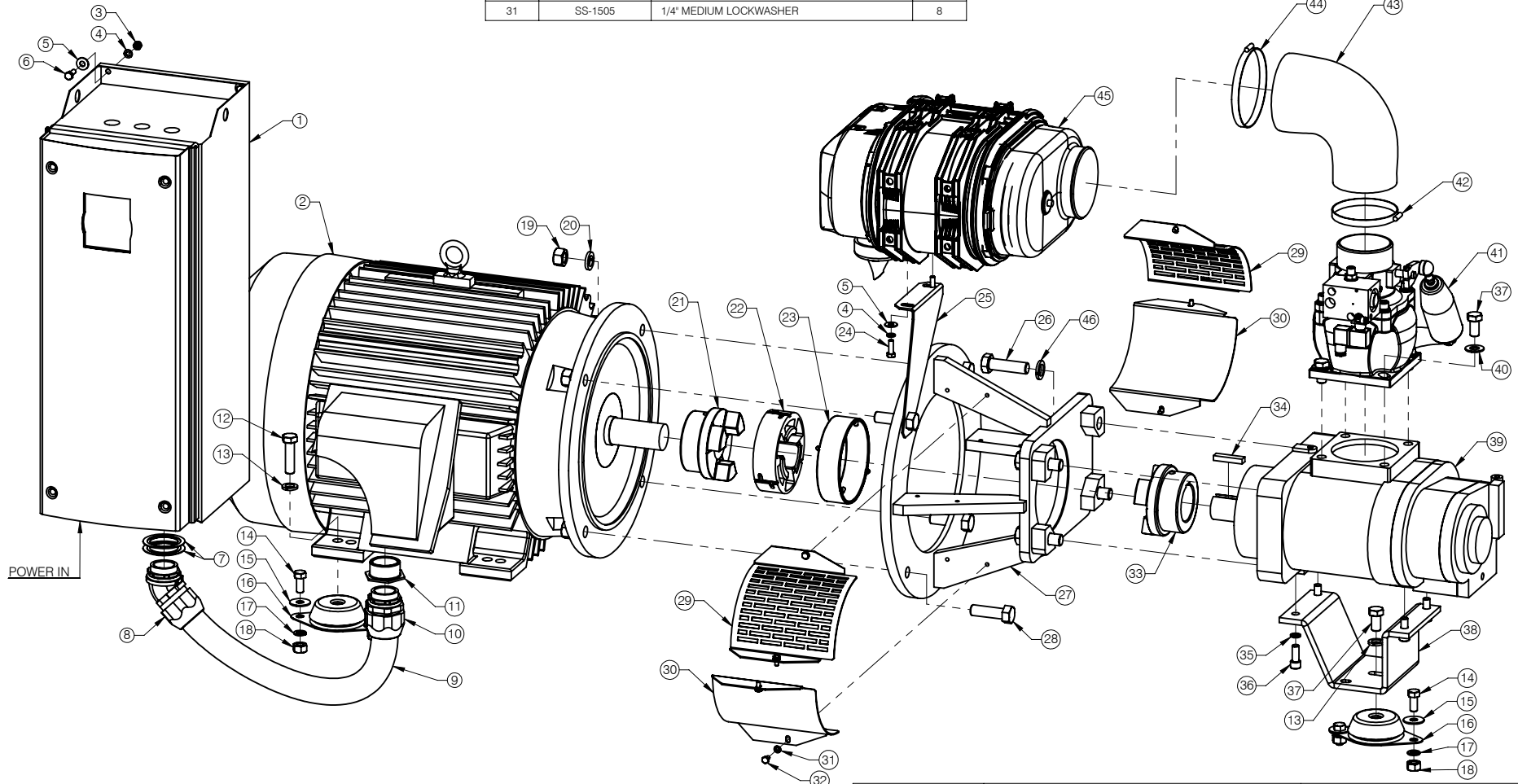


NAME OF PROJECT				DESCRIPTION OF DRAWING	
J75VSD SCREW COMPRESSOR				SALES-ENGINEERING DRAWING	
DRAWN BY	CHECKED BY	DATE	SCALE	DRAWING NO.	SHT NO/REV.
LT		10/19/16	N.T.S	J75-VSD	

ITEM NO.	PART NUMBER	DESCRIPTION	QTY.
1	DSC-001914 DSC-001916	J75 INVERTER 460V J75 INVERTER 575V	1
2	MO-9291 MO-9292	MOTOR 75HP 460/60/3 MOTOR 75HP 575/60/3	1
3	SS-725	5/16" HEX NUT	4
4	SS-1503	5/16" LOCKWASHER	2
5	SS-1524	5/16" FLAT WASHER	2
6	SS-13	5/16-18 X 7/8" HHCS	4
7	SS-9851	ELECTRICAL BUSHING 2" X 1-1/2"	2
8	DSC-001937	1-1/2" X 45 DEG. PLASTIC CONNECTOR	1
9	DSC-001935	1-1/2" FLEX CONDUIT	2
10	DSC-001936	1-1/2" STRT PLASTIC CONNECTOR	1
11	SS-9851	ELECTRICAL BUSHING 2" X 1-1/2"	1
12	SS-10168	M16-2.0 X 60MM HHCS	2
13	SS-1508	5/8" MEDIUM LOCKWASHER	3
14	SS-73	1/2-13 X 1.125" HHCS	6

ITEM NO.	PART NUMBER	DESCRIPTION	QTY.
15	SS-1527	1/2" FLAT WASHER	6
16	DSC-001734	K-SERIES ISOLATORS	3
17	SS-1506	1/2" MEDIUM LOCKWASHER	6
18	SS-659	1/2-13 HEX NUT	6
19	SS-663	3/4-10 HEX NUT	4
20	SS-1509	3/4" MEDIUM LOCKWASHER	4
21	DSC-001851	J75 MOTOR COUPLING	1
22	DSC-001853	J75 COUPLING SPIDER	1
23	DSC-001854	J75 COUPLING LOCKING RING	1
24	SS-10105	M8 X 25MM HHCS	2
25	DSC-001850	J75 AIR FILTER BRACKET	1
26	SS-10189	M20 X 70MM HHCS	4
27	DSC-001845	J75 MOTOR-AIR END ADAPTER	1
28	SS-96	HHCS 3/4-10 X 2.5"	4
29	DSC-001843	J75 COUPLING GUARD VENTILATED	2
30	DSC-001844	J75 COUPLING GUARD NON-VENTILATED	2
31	SS-1505	1/4" MEDIUM LOCKWASHER	8

ITEM NO.	PART NUMBER	DESCRIPTION	QTY.
32	SS-1	1/4-20 X 0.5" HHCS	8
33	DSC-001852	AIR END COUPLING K100	1
34	DSC-001967	J75 AIR END KEY	1
35	DSC-244	M12 HC LOCKWASHER	4
36	DSC-294	M12-1.75 X 30 SHCS	4
37	SS-10162	M16-2.0 X 30MM HHCS	5
38	DSC-001846	J75 AIR END BRACKET	1
39	DSC-001933	J75 AIR END	1
40	SS-1528	5/8 FLAT WASHER NARROW	4
41	DSC-001855	J75 INTAKE VALVE	1
42	DSC-001947	INTAKE FILTER CLAMP 72	1
43	DSC-001848	J75 AIR INLET FILTER ELBOW	1
44	DSC-001938	INTAKE FILTER CLAMP 88	1
45	DSC-001764	INLET FILTER HOUSING W/FILTER 75-100HP	1
46	SS-1517	M20 LOCKWASHER	4



E	7/26/13	INVERTER PARTS UPDATED	---
D	8/28/12	PARTS UPDATED	---
C	3/26/12	INVERTER PARTS ADDED	---
REV.	DATE	REVISION DESCRIPTION	PCN NO.

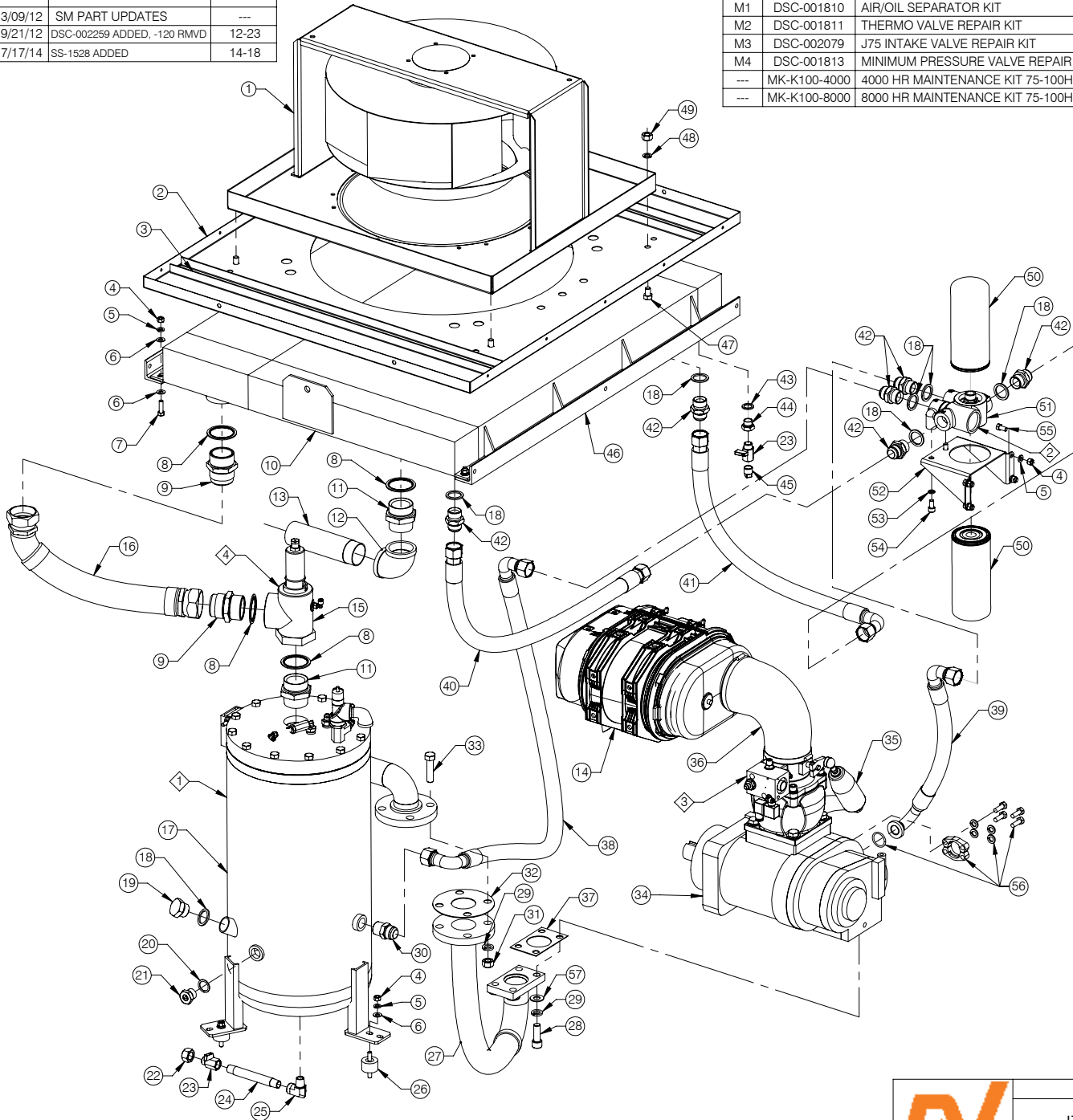


NAME OF PROJECT				DESCRIPTION OF DRAWING		
J75 SCREW COMPRESSOR				DRIVE COMPONENTS		
DRAWN BY	CHECKED BY	DATE	SCALE	DRAWING NO.	SHT NO/REV.	
LT		11/25/10	N.T.S	J75	D1	E

IMPORTANT NOTE: This print is the confidential property of DV SYSTEMS, INC. It is not to be used or reproduced in any manner, nor submitted to other parties for examination without the prior approval of DV SYSTEMS, INC. DV SYSTEMS, INC. is continually trying to improve its products, specifications subject to change without notice.

REV.	DATE	REVISION DESCRIPTION	PCN NO.
A	3/09/12	SM PART UPDATES	---
B	9/21/12	DSC-002259 ADDED, -120 RMVD	12-23
C	7/17/14	SS-1528 ADDED	14-18

MAINTENANCE KITS		NO.	PART NUMBER	DESCRIPTION	QTY.
M1	DSC-001810	1	DSC-001878	J75 FAN ASSEMBLY	1
M2	DSC-001811	2	DSC-001809	K100 FAN BOX BASE PLATE	1
M3	DSC-002079	3	DSC-001814	K100 FAN BASE PLATE STRENGTHENER	2
M4	DSC-001813	4	SS-657	3/8-16 HEX NUT	11
---	MK-K100-4000	5	SS-1502	3/8" LOCKWASHER	11
---	MK-K100-8000	6	SS-1525	3/8" FLAT WASHER	7
			SS-26	3/8-16 X 1-1/4 HHCS	4
			DSC-001871	BONDED WASHER 2"BSPP	4
			DSC-001897	ADAPTER 2"BSPP(M) - JIC 32(M)	2
			DSC-001732	HEAT EXCHANGER 75-100HP	1
			DSC-001869	ADAPTER 2"BSPP(M) - 2"NPT(M)	2
			SS-1078	2" NPT(F) GALV ELBOW	1
			DSC-001920	J75-K100 AIR OUTLET PIPE	1
			DSC-001764	INLET FILTER HOUSING W/FILTER 75-100HP	1
			DSC-001895	MINIMUM PRESSURE VALVE 75-100HP	1
			DSC-001896	K100 FLEXI-HOSE MPV-COOLER	1
			DSC-001731	AIR/OIL RECEIVER 75-100HP	1
			DSC-386	BONDED WASHER R1"	7
			DSC-001906	PLUG 1" BSPP	1
			DSC-002259	COPPER WASHER 3/4"BSPP WD	1
			DSC-001907	OIL SIGHT GLASS 3/4" BSPP	1
			SS-1338	1/2" NPT HEX PIPE CAP	1
			DSC-001924	BALL VALVE 1/2" NPT	2
			SS-2137	1/2 X 6 LONG GALV NIPPLE	1
			DSC-001922	1/2" NPT STREET ELBOW	1
			DSC-001330	VIBRATION ISOLATOR	3
			DSC-001858	J75 FLEXI-HOSE AE-SEP TANK	1
			SS-10065	M16-2.0 X 45MM SHCS GR.8	4
			SS-1508	5/8" MEDIUM LOCKWASHER	8
			DSC-001293	ADAPTER 1" NPT(M) - JIC 16	1
			SS-661	5/8-11 HEX NUT	4
			DSC-001894	K100 A/O REC. TANK INLET GASKET	1
			SS-84	5/8-11 X 2-1/2" HHCS	4
			DSC-001933	J75 AIR END	1
			DSC-001855	J75 INTAKE VALVE	1
			DSC-001848	J75 AIR INLET FILTER ELBOW	1
			DSC-001925	J75 AIR END OUTLET GASKET	1
			DSC-001918	1" OIL HOSE COOLER TO THERM. VALVE	1
			DSC-001860	1" OIL HOSE THERM. VALVE - AE	1
			DSC-001908	1" OIL HOSE THERM. VALVE - COOLER	1
			DSC-001909	1" OIL HOSE COOLER - TERM. VALVE	1
			DSC-575	ADAPTER R1" - JIC 16	6
			DSC-200	BONDED WASHER 1/2" BSPP	2
			DSC-001923	ADAPTER 1/2"BSPP(M) - 1/2"NPT(F)	1
			SS-1230	1/2" NPT PIPE PLUG	1
			DSC-001798	COOLER SUPPORT BRACKET	2
			SS-45	1/2-13 X 1.125" HHCS	4
			SS-1506	1/2" MEDIUM LOCKWASHER	4
			SS-659	1/2-13 HEX NUT	4
			DSC-624	OIL FILTER	2
			DSC-001877	THERMO VALVE 75-100HP	1
			DSC-001808	THERMO VALVE BRACKET 75-100HP	1
			SS-1515	M10 HC LOCKWASHER	2
			SS-10023	M10 X 20MM SHCS	2
			SS-23	3/8-16 X 3/4 HHCS B/M	4
			DSC-001857	K75 SPLIT FLANGE KIT	1
			SS-1528	5/8" FLAT WASHER	4

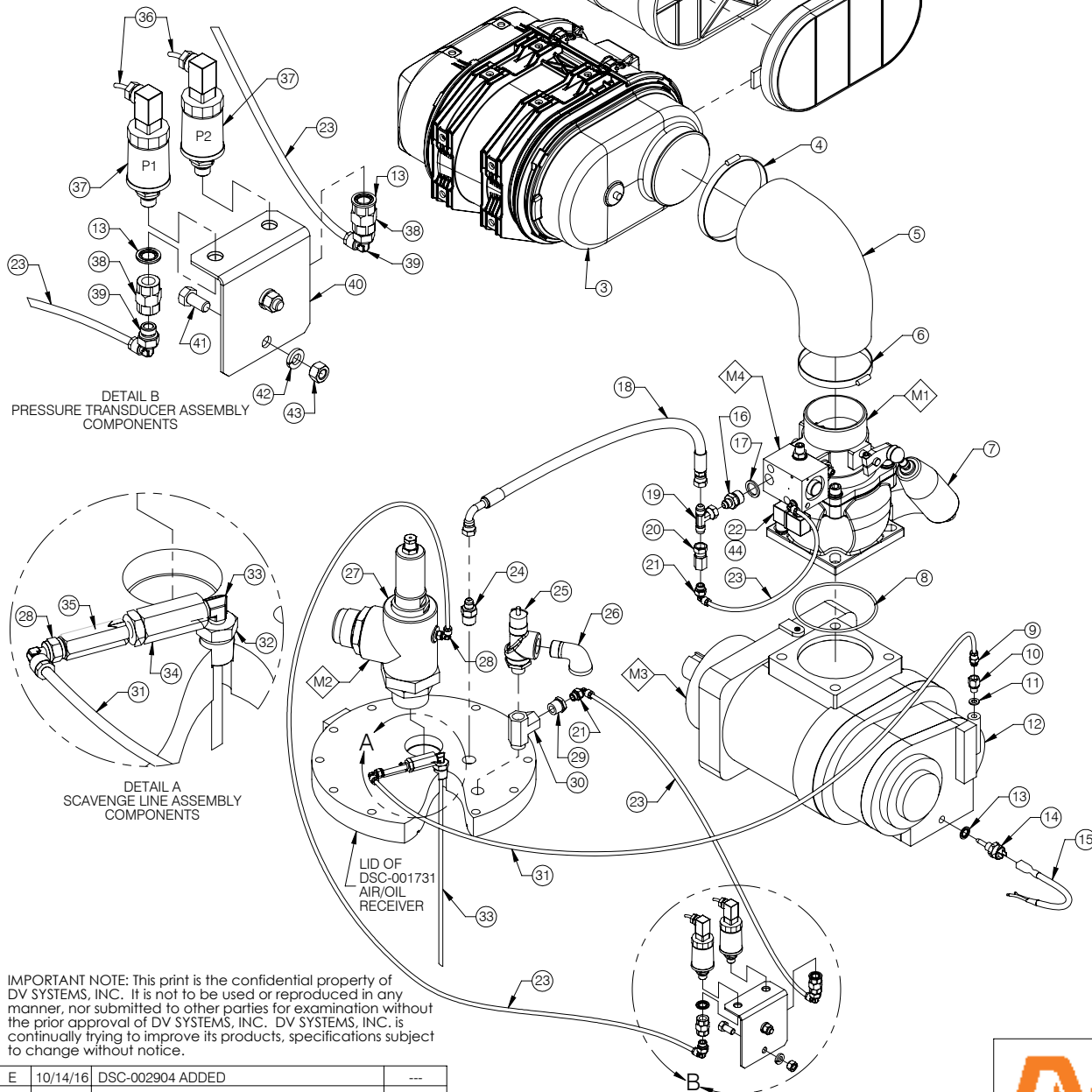


IMPORTANT NOTE: This print is the confidential property of DV SYSTEMS, INC. It is not to be used or reproduced in any manner, nor submitted to other parties for examination without the prior approval of DV SYSTEMS, INC.



NAME OF PROJECT				DESCRIPTION OF DRAWING		
J75 SCREW COMPRESSOR				SYSTEM COMPONENTS		
DRAWN BY	CHECKED BY	DATE	SCALE	DRAWING NO.	SHT NO	REV.
CG	LT	12/10/10	N.T.S	J75	D2	C

MAINTENANCE KITS		
M1	DSC-002079	J75 INTAKE VALVE REPAIR KIT
M2	DSC-001813	MINIMUM PRESSURE VALVE REPAIR KIT
M3	DSC-002040	J75 SHAFT SEAL KIT
M4	DSC-002272	VALVE PLUNGER KIT J75-K100



IMPORTANT NOTE: This print is the confidential property of DV SYSTEMS, INC. It is not to be used or reproduced in any manner, nor submitted to other parties for examination without the prior approval of DV SYSTEMS, INC. DV SYSTEMS, INC. is continually trying to improve its products, specifications subject to change without notice.

E	10/14/16	DSC-002904 ADDED	---
D	11/09/12	DETAIL A UPDATED	---
C	8/28/12	DSC-002272 KIT	---
REV.	DATE	REVISION DESCRIPTION	PCN NO.

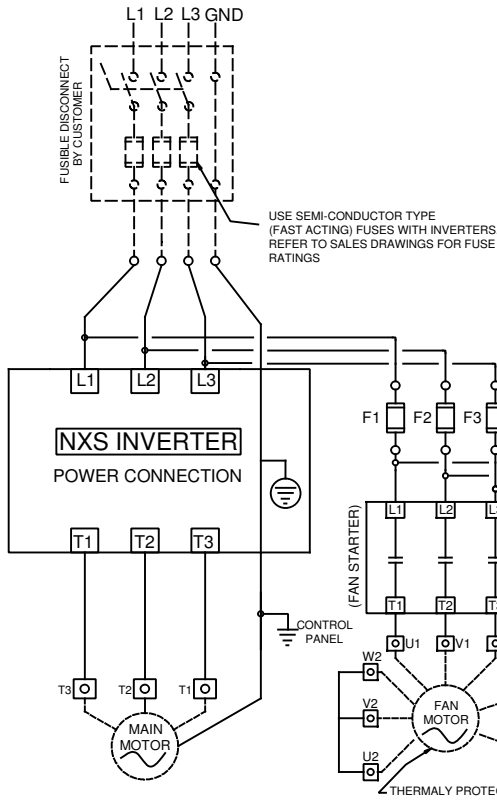
ITEM NO.	PART NUMBER	DESCRIPTION	QTY.
1	DSC-001880	AIR INLET FILTER ELEMENT 75-100HP	1
2	DSC-001849	INTAKE SAFETY FILTER	1
3	DSC-001764	INLET FILTER HOUSING W/FILTER 75-100HP	1
4	DSC-001938	INTAKE FILTER CLAMP 88	1
5	DSC-001848	J75 AIR INLET FILTER ELBOW	1
6	DSC-001947	INTAKE FILTER CLAMP 72	1
7	DSC-001855	J75 INTAKE VALVE	1
8	DSC-001964	J75 INTAKE VALVE O-RING	1
9	DSC-175	PNEUMATIC FITTING STRAIGHT 1/8" X 6MM	1
10	DSC-677	ORIFICE 1MM	1
11	DSC-263	1/8" BONDED WASHER	1
12	DSC-001933	J75 AIR END	1
13	DSC-001217	BONDED WASHER 1/4" BSPP	3
14	DSC-001238	TEMPERATURE SENSOR CSC200300	1
15	DSC-001360	TEMPERATURE PROBE CABLE CSC200300	1
16	DSC-001881	ADAPTER 1/2"BSPP(M) - JIC 6	1
17	DSC-200	BONDED WASHER 1/2" BSPP	1
18	DSC-001928	3/8" AIR HOSE A/O - INTAKE VALVE	1
19	DSC-001882	TEE JIC 6(MX2) - JIC 6(F)	1
20	DSC-001883	ADAPTER 1/4"NPT(F) - JIC 6(F)	1
21	DSC-444	1/4"NPT ELBOW X 6MM TUBE FITTING	2
22	DSC-002052	GHJ-SERIES SOLENOID N.C. 24VAC	---
23	DSC-482	PNEUMATIC TUBE 6MM OD BLACK	1
24	DSC-001884	ADAPTER 1/2"NPT(M) - JIC 6	1
25	TIA-6200	SAFETY VALVE 1/2"NPT 200 PSI	1
26	SS-1074	STREET ELBOW 3/4"NPT	1
27	DSC-001895	MINIMUM PRESSURE VALVE 75-100HP	1
28	DSC-185	1/8"BSPP ELBOW X 6MM TUBE FITTING	2
29	SS-1250	REDUCER 1/2"NPT(M) - 1/4"NPT(F)	1
30	DSC-001297	TEE 1/2"NPT (M-F-F)	1
31	DSC-382	PNEUMATIC TUBE 6MM OD NATURAL	1
32	DSC-001926	ADAPTER 1/2"NPT(M) - 1/8"NPT(F)	1
33	DSC-001927	SCAVENGE LINE ASSEMBLY 75-100HP	1
34	DSC-612	INLINE FILTER	1
35	DSC-001358	CHECK VALVE 1/8"NPT(F)	1
36	DSC-001366	PRESS. TRANSD. CABLE CSC200300	2
37	DSC-001237	CSC200 / CSC300 PRESSURE TRANSDUCER	2
38	DSC-001566	COUPLING 1/4"BSPP FEMALE	2
39	DSC-158	1/4"BSPP ELBOW X 6MM TUBE FITTING	2
40	DSC-001841	PRESSURE TRANSDUCER BRACKET	1
41	SS-23	3/8-16 X 3/4 HHCS B/M	2
42	SS-1502	3/8" LOCKWASHER	2
43	SS-657	3/8-16 HEX NUT	2
44	DSC-002904	SOLENOID CABLE ASSEMBLY H-J-K	1



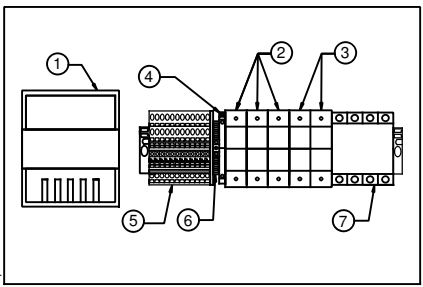
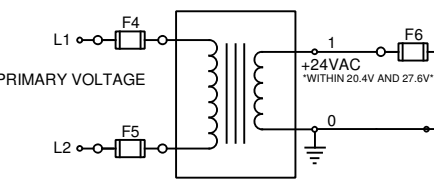
NAME OF PROJECT				DESCRIPTION OF DRAWING		
J75 SCREW COMPRESSOR				PNEUMATIC COMPONENTS		
DRAWN BY	CHECKED BY	DATE	SCALE	DRAWING NO.	SHT NO	REV.
LT		11/26/10	N.T.S	J75	D3	E

REV.	DATE	REVISION DESCRIPTION	PCN NO.
D	02/24/15	FAN FUSES ADDED	15-03
E	06/17/16	RSS INSTRUCTIONS UPDATED	---

POWER CIRCUIT SCHEMATIC



- W1 - FAN LEAD (BLACK)
- W2 - FAN LEAD (ORANGE)
- V1 - FAN LEAD (BLUE)
- V2 - FAN LEAD (GREY)
- U1 - FAN LEAD (BROWN)
- U2 - FAN LEAD (RED)
- TK - FAN THERMAL CONTACTS (WHITE)



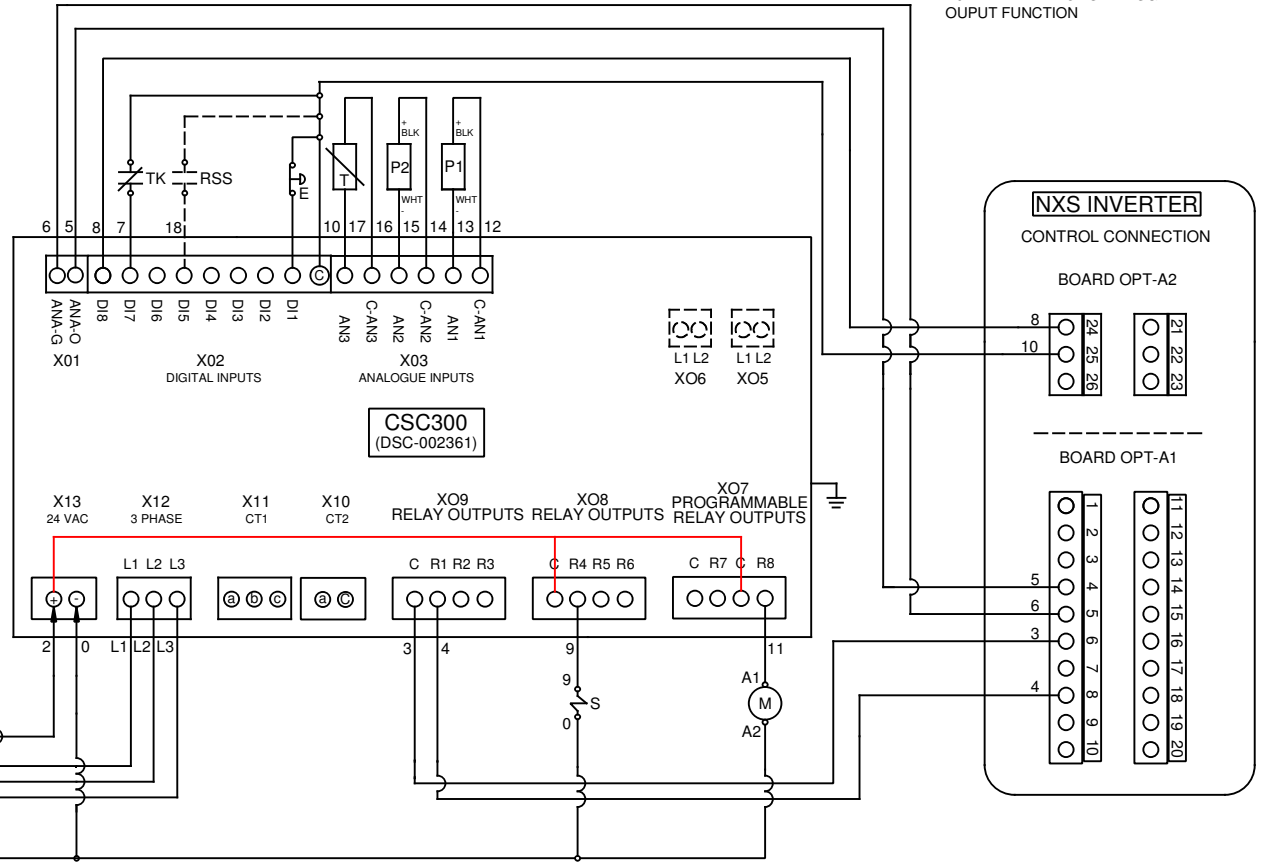
PANEL SCHEMATIC

- ① TRANSFORMER
- ② FAN FUSE F1/F2/F3
- ③ PRIMARY FUSE F4/F5
- ④ SECONDARY FUSE F6
- ⑤ TERMINAL BLOCK
- ⑥ GROUND TERMINAL
- ⑦ STARTER CONTACTOR

VOLTAGE	FUSE TABLE							
	FUSE SIZE (AMPS)		ATDR, CC TIME DELAY		ATDR, CC		SMM TIME DELAY	
	75HP	100HP	F1 / F2 / F3	F1 / F2 / F3	F4	F5	F6	F7
460	4	5	0.5	0.5	5	NA		
575	4	5	0.5	0.5	5	NA		

WARNING: USE THE SAME FUSE TYPE & RATING

- E - EMERGENCY STOP
 - P1 - PRESSURE TRANSDUCER (OUTLET)
 - P2 - PRESSURE TRANSDUCER (INTERNAL)
 - S - SOLENOID N.C.
 - M - FAN STARTER
 - T - TEMPERATURE SENSOR
 - TK - FAN THERMAL CONTACT
 - RSS - REMOTE START/STOP
- (FIELD OPTION:
 INSTALL RSS TO #18 AND #10 TERMINAL BLOCK. INSTALL WIRE FROM #18 TO DI5. ON P18 CHANGE P18.08 FROM 'OFF' TO 'DI REMOTE START'. P10 CHANGE P10.12 FROM 'KEYPAD' TO 'EQUIPMENT DI')
- X07 - R7 AND R8 FOR PROGRAMMABLE RELAY OUTPUT FUNCTION



IMPORTANT NOTE: This print is the confidential property of DV SYSTEMS, INC. It is not to be used or reproduced in any manner, nor submitted to other parties for examination without the prior approval of DV SYSTEMS, INC. DV SYSTEMS, INC. is continuously trying to improve its products, specifications subject to change without notice.

FRACTIONAL DIMENSIONS: ±1/32
 DECIMAL DIMENSION: ±.005
 ANGLES: ±1°
 *UNLESS OTHERWISE SPECIFIED



NAME OF PROJECT				DESCRIPTION OF DRAWING			
75-100HP SCREW COMPRESSOR WITH VARIABLE SPEED CONTROLS				ELECTRICAL SCHEMATICS CSC300 & NX5 INVERTER			
DRAWN BY CHECKED BY DATE SCALE				DRAWING NO. SHT NO REV			
E.H.				CSC300-J75K100			
02/24/15				N.T.S.			
				E			