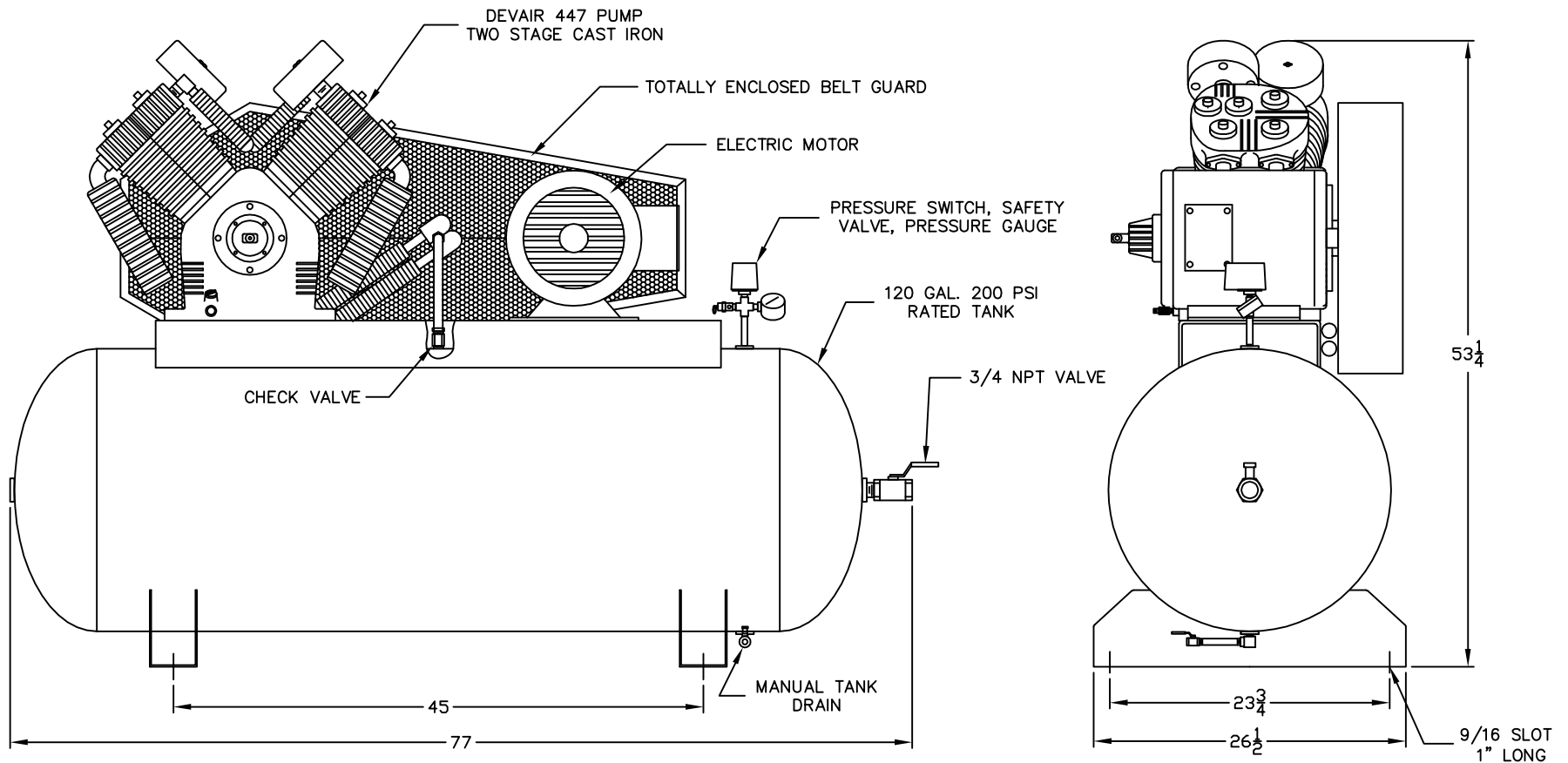


REV.	DATE	REVISION DESCRIPTION	PCN NO.



COMPRESSOR OUTFIT DATA				PRESSURE SETTING		RECEIVER CAPACITY		COMPRESSOR PUMP DATA				WEIGHT		ELECTRICAL				
MODEL	HP	DISP SCFM	DEL'Y SCFM	PSIG	KPA	GAL.	LITRS	TYPE	CYLD.	STAGE	RPM	LB.	KG.	VOLTAGE	200/3	230/3	460/3	575/3
VAV-5062	15	64.8	52.1	150	1034	120	454	447	4	2	880	1070	485	F.L.A.	47	42	21	16

IMPORTANT NOTE: THIS PRINT IS THE CONFIDENTIAL PROPERTY OF DV SYSTEMS, INC. IT IS NOT TO BE USED OR REPRODUCED IN ANY MANNER, NOR SUBMITTED TO OTHER PARTIES FOR EXAMINATION WITHOUT THE PRIOR APPROVAL OF DV SYSTEMS, INC. DV SYSTEMS, INC. IS CONTINUALLY TRYING TO IMPROVE ITS PRODUCTS, SPECIFICATIONS SUBJECT TO CHANGE WITHOUT NOTICE.

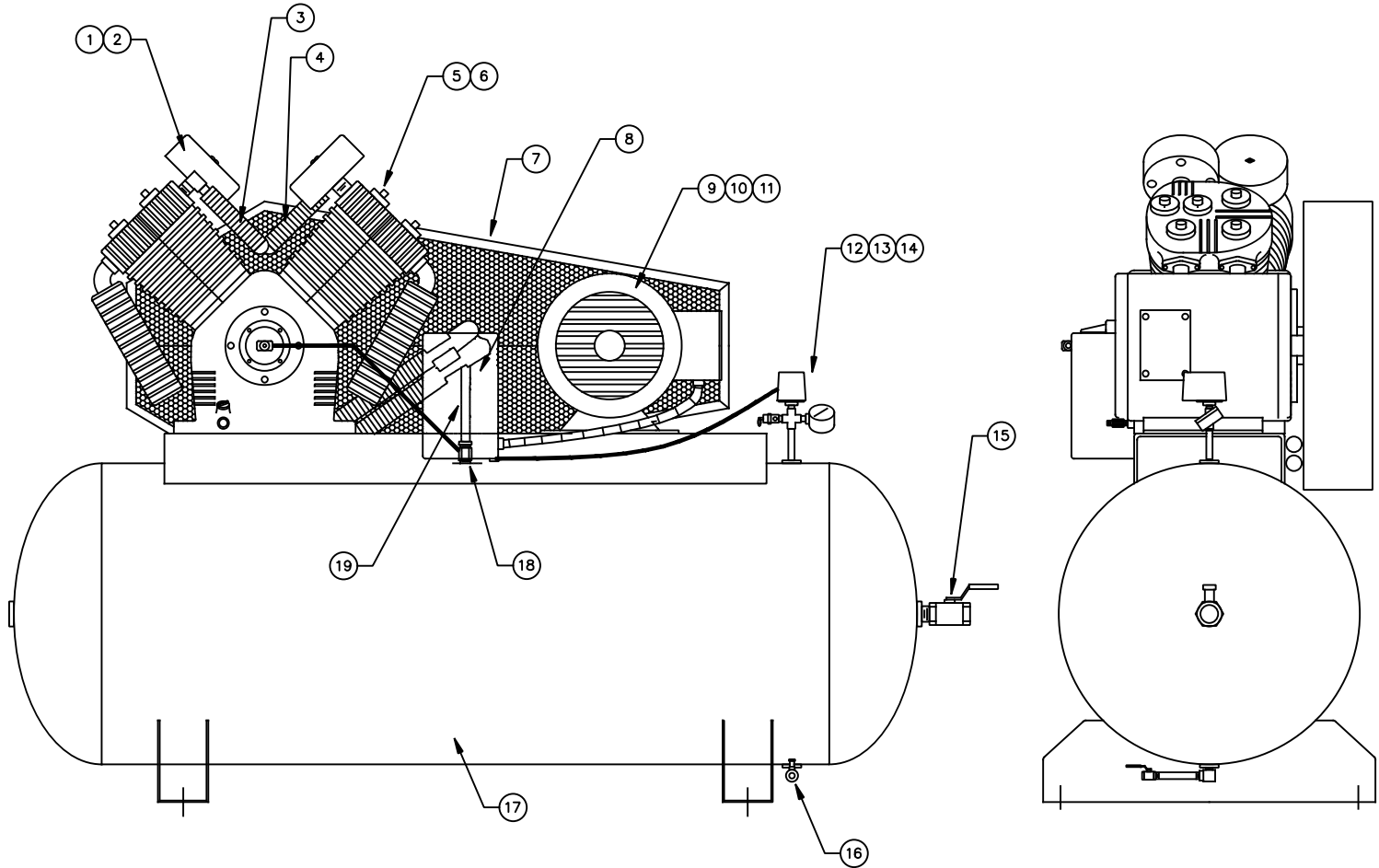
FRACTIONAL DIMENSIONS: $\pm 1/32$
 DECIMAL DIMENSION: $\pm .005$
 ANGLES: $\pm 1'$
 *UNLESS OTHERWISE SPECIFIED



NAME OF PROJECT				DESCRIPTION OF DRAWING			
15 HP SIMPLEX C/W 447 PUMP				COMPRESSOR OUTFIT			
DRAWN BY		CHECKED BY		DATE		SCALE	
IRAJ FILSOOFI				18 JAN. 99		N.T.S.	
DRAWING NO.				SHT NO/REV			
VAV-5062							

	PART NUMBER	DESCRIPTION
1	357-9401	FILTER ASSEMBLY
2	357-9701	FILTER ELEMENT
3	CT-9480	AFTERCOOLER TUBE
4	CT-9479	AFTERCOOLER TUBE
5	447-4523	PUMP ASSEMBLY
6	445-2-1	FLYWHEEL, 20" OD
7	EG-9487	BELT GUARD ASSEMBLY
8	MS-360-43	MAG STARTER 200/230-60-3
	MS-340-45	MAG STARTER 460-60-3
	MS-340-69	MAG STARTER 575-60-3
9	MO-6712	MOTOR 200-60-3
	MO-6713	MOTOR 230/460-60-3
	MO-6791	MOTOR 575-60-3
10	PU-9198	MOTOR PULLEY
11	BT-118	BELTS (2)
12	SSS-9003-115150	PRESSURE SWITCH
13	GA-250	PRESSURE GAUGE
14	TIA-5200	SAFETY VALVE 200 PSI
15	VA-9705	BALL VALVE
16	VA-9411	BALL VALVE
17	TA-9491-1	TANK - 120 GAL HORIZ
18	CCV-9408	CHECK VALVE
17	CT-9734	CHECK VALVE TUBE

REV.	DATE	REVISION DESCRIPTION	PCN NO.
B	12.07.00	CHG'D 1" CHK VALVE & TUBE WAS 3/4"	00-26
C	08.22.01	EG-9487 WAS EG-9402-1-P	01-26
D	07.09.12	VA-9411 ADDED	12-10



IMPORTANT NOTE: This print is the confidential property of DV SYSTEMS, INC. It is not to be used or reproduced in any manner, nor submitted to other parties for examination without the prior approval of DV SYSTEMS, INC. DV SYSTEMS, INC. is continually trying to improve its products, specifications subject to change without notice.

FRACTIONAL DIMENSIONS: $\pm 1/32$
 DECIMAL DIMENSION: $\pm .005$
 ANGLES: $\pm 1'$
 *UNLESS OTHERWISE SPECIFIED



NAME OF PROJECT				DESCRIPTION OF DRAWING		
15 HP SIMPLEX UNIT C/W 447 PUMP				COMPRESSOR OUTFIT		
DRAWN BY	CHECKED BY	DATE	SCALE	DRAWING NO.	SHT NO	REV
IRAJ FILSOOFI		28 APR/00	N.T.S.	VAV-5062		E