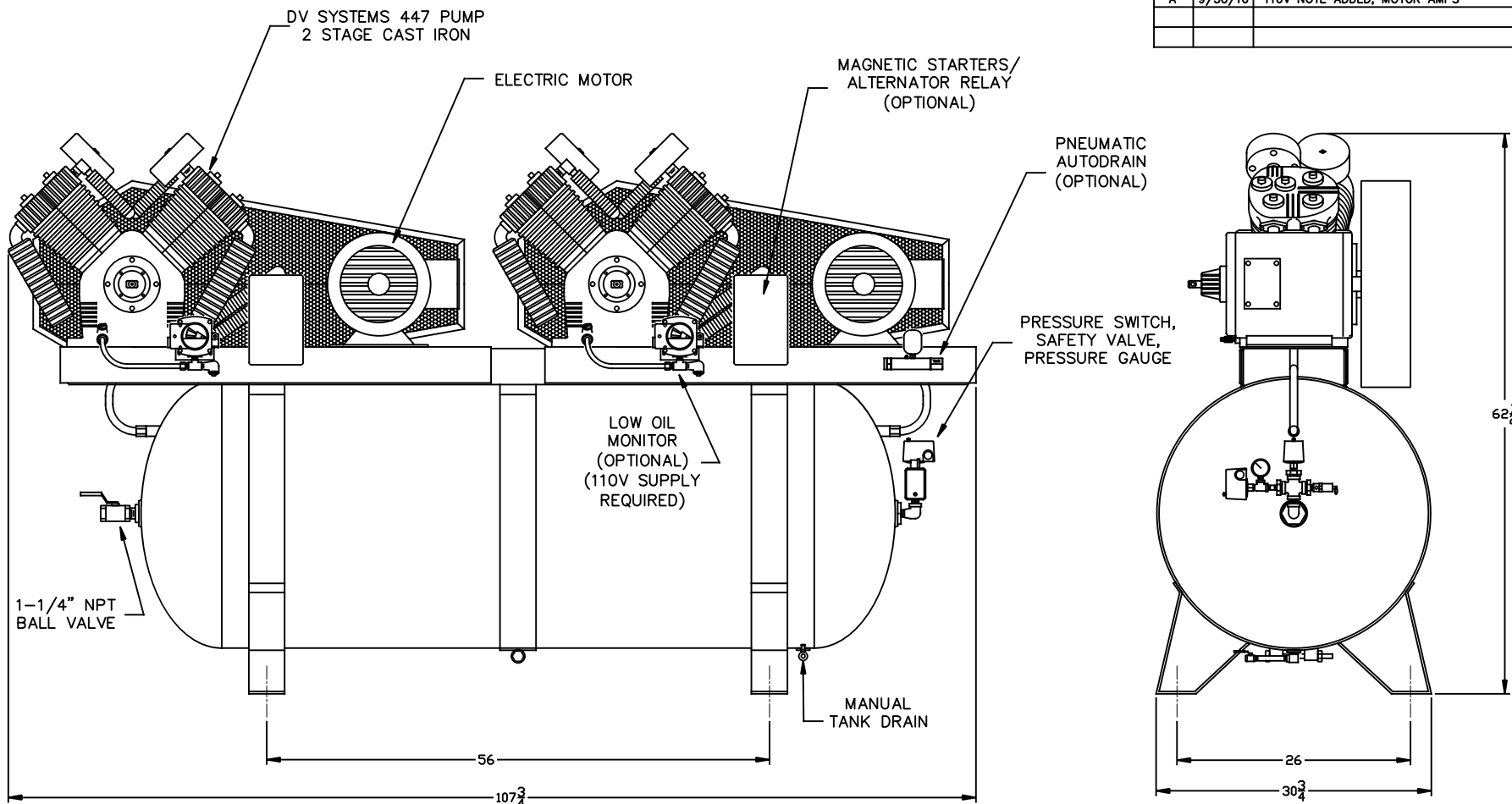


REV.	DATE	REVISION DESCRIPTION	PCN NO.
A	9/30/16	110V NOTE ADDED, MOTOR AMPS	---



NOTE: THE COMPRESSOR SHOWN IS AN 'XL' MODEL, THIS PACKAGE INCLUDING THE (2) MOUNTED MAGNETIC STARTERS, ALTERNATOR RELAY, (2) OIL MONITORS, AND (1) PNEUMATIC AUTODRAIN.

COMPRESSOR OUTFIT DATA				PRESSURE SETTING		RECEIVER CAPACITY		COMPRESSOR PUMP DATA				WEIGHT		NAMEPLATE AMP PER MOTOR			
MODEL	HP	DISP SCFM	DEL'Y SCFM	PSIG	KPA	GAL.	LITRS	TYPE	CYLD.	STAGE	RPM	LB.	KG.	200/3	230/3	460/3	575/3
VAV-5582	15	2 X 64.8	2 X 52.1	150	1034	240	908	447	4	2	880	2074	941	40.7	35.4	17.7	14.1

IMPORTANT NOTE: THIS PRINT IS THE CONFIDENTIAL PROPERTY OF DV SYSTEMS, INC. IT IS NOT TO BE USED OR REPRODUCED IN ANY MANNER, NOR SUBMITTED TO OTHER PARTIES FOR EXAMINATION WITHOUT THE PRIOR APPROVAL OF DV SYSTEMS, INC. DV SYSTEMS, INC. IS CONTINUALLY TRYING TO IMPROVE ITS PRODUCTS, SPECIFICATIONS SUBJECT TO CHANGE WITHOUT NOTICE.

FRACTIONAL DIMENSIONS: ±1/32  
 DECIMAL DIMENSION: ±.005  
 ANGLES: ±1°  
 \*UNLESS OTHERWISE SPECIFIED



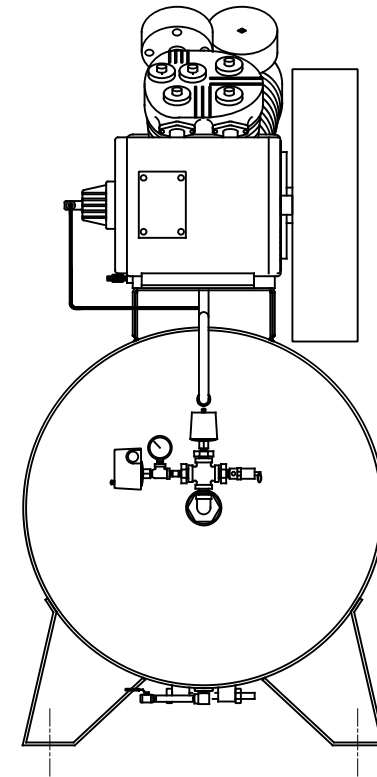
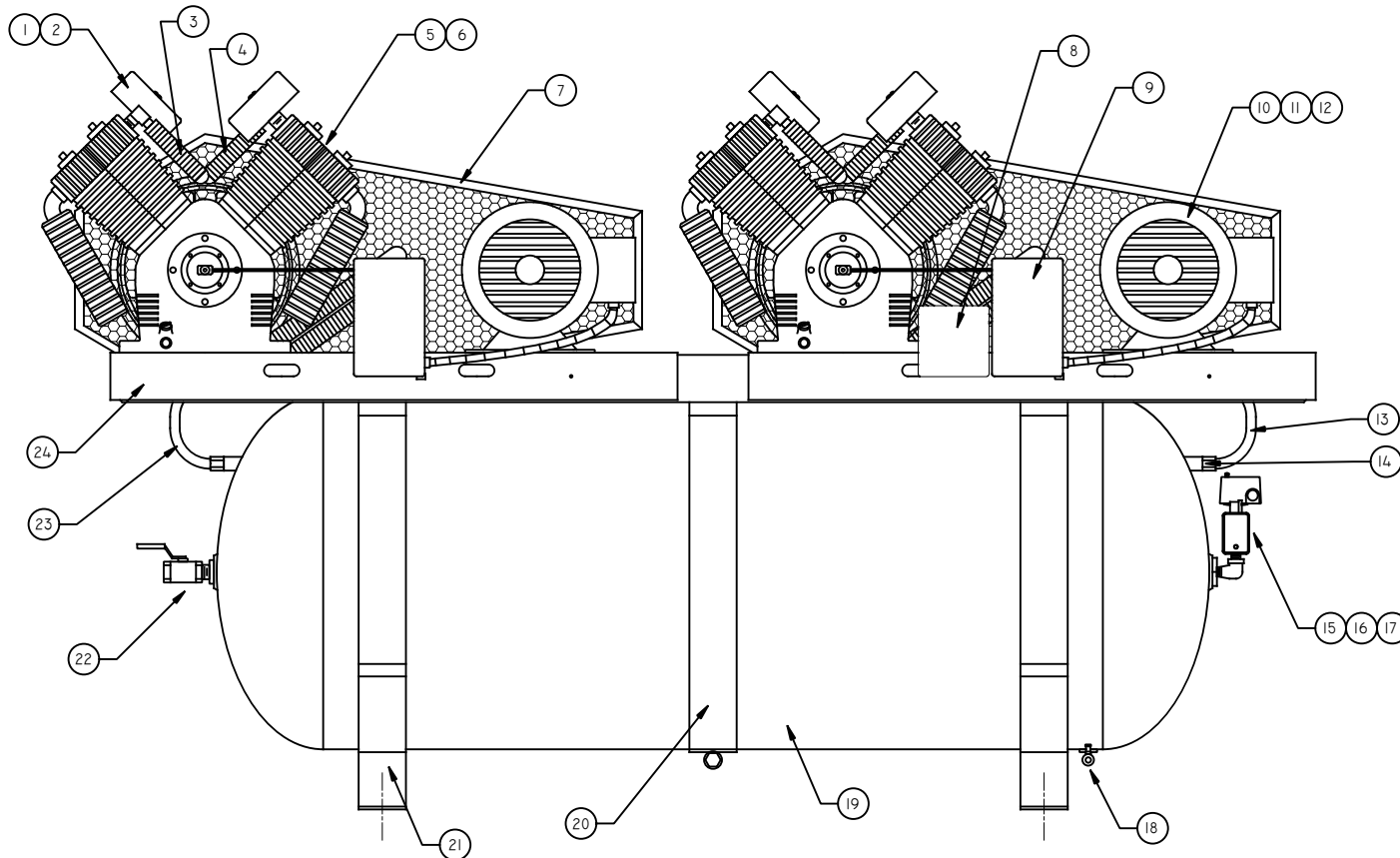
NAME OF PROJECT				DESCRIPTION OF DRAWING			
15 HP DUPLEX C/W 447 PUMPS				COMPRESSOR OUTFIT			
DRAWN BY		CHECKED BY		DATE		SCALE	
ADAM SMITH				NOV20'00		N.T.S.	
DRAWING NO.				SHT NO		REV	
VAV-5582						A	

PART NUMBER	DESCRIPTION
1 357-9401	FILTER ASSEMBLY
2 357-9701	FILTER ELEMENT
3 CT-9480	AFTERCOOLER TUBE
4 CT-9479	AFTERCOOLER TUBE
5 447-4523	PUMP ASSEMBLY
6 445-2-1	FLYWHEEL, 20" OD
7 EG-9487	BELT GUARD
8 ALT-230	ALTERNATOR RELAY (230V)
TRN-460230	TRANSFORMER (460V UNIT)
TRN-575230	TRANSFORMER (575V UNIT)

9 MS-360-43	MAG STARTER 200/230-60-3
MS-340-43	MAG STARTER 460/575-60-3
10 MO-6712	MOTOR 200-60-3
MO-6713	MOTOR 230/460-60-3
MO-6791	MOTOR 575-60-3
11 PU-9198	MOTOR PULLEY
12 BT-118	BELTS
13 CT-9740	CHECK VALVE TUBE
14 CCV-9408	CHECK VALVE
15 SSS-9003-115150	PRESSURE SWITCH
16 GA-250	PRESSURE GAUGE

17 SS-00617	SAFETY VALVE
18 VA-9411	BALL VALVE
19 TA-9003-2	TANK - 240 GAL DUPLEX
20 VAX-9409	STRAP ASSEMBLY
21 VAX-9407	STRAP AND FOOT ASSEMBLY
22 VA-9722	BALL VALVE
23 CT-9741	CHECK VALVE TUBE
24 VAX-9410	MOTOR BASE ASSEMBLY

REV.	DATE	REVISION DESCRIPTION	PCN NO.
A	10.22.01	1-1/4" BALL VALVE WAS 2"	01-28
B	12.22.14	MO-9713 TO MO-6713	---
C	9.30.16	VA-9411 WAS SS-2707	---



IMPORTANT NOTE: This print is the confidential property of DEVAIR, INC. It is not to be used or reproduced in any manner, nor submitted to other parties for examination without the prior approval of DEVAIR, INC.

FRACTIONAL DIMENSIONS:  $\pm 1/32$   
 DECIMAL DIMENSION:  $\pm .005$   
 ANGLES:  $\pm 1'$   
 \*UNLESS OTHERWISE SPECIFIED



NAME OF PROJECT

15 HP DUPLEX UNIT  
 C/W 447 PUMPS

DRAWN BY CHECKED BY DATE SCALE

ADAM SMITH

22DEC'14

N.T.S.

DESCRIPTION OF DRAWING

COMPRESSOR OUTFIT

DRAWING NO. SHT NO/REV

VAV-5582

C