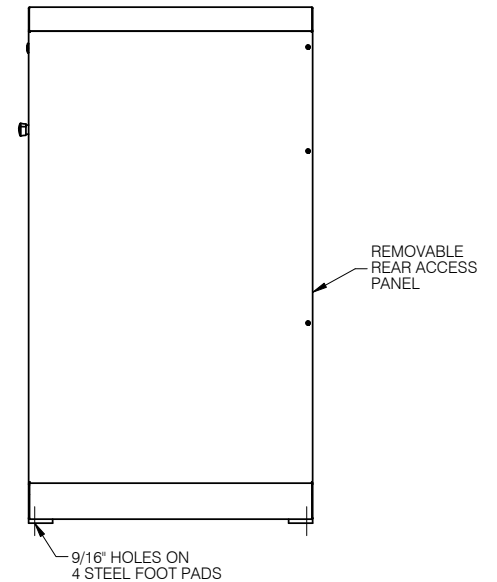
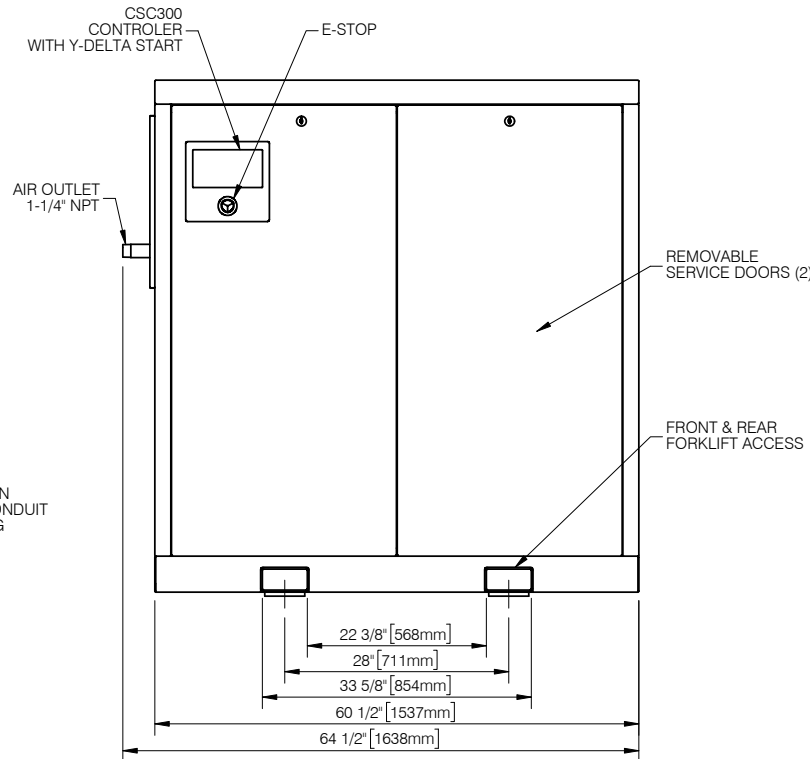
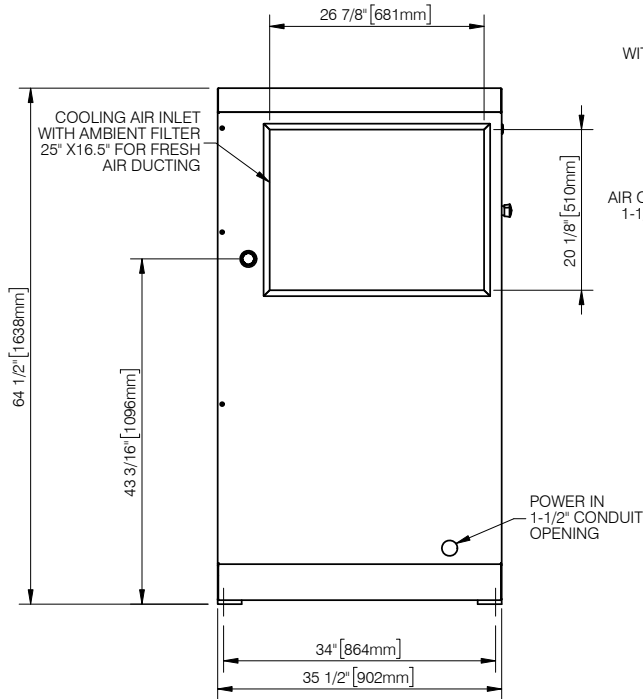
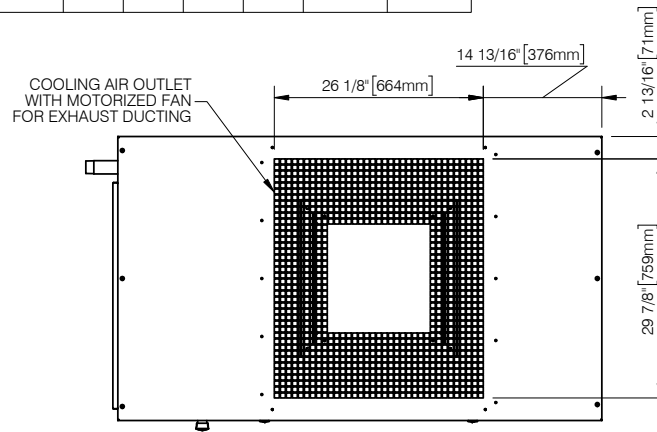


MODEL NO.	HP	kW	PRESSURE PSI	PRESSURE bar	SCFM @ MAX. PRESSURE	m3/min @ MAX. PRESSURE	AIR END RPM	NOMINAL SOUND @ 1 METRE dBA	SYSTEM AMP 3-PHASE				WEIGHT LBS	WEIGHT kG
									200V	230V	460V	575V		
H40	40	29.8	100 - 110	6.9 - 8.3	165	4.67	3546	70	107	94	47	38	1660	753
			125 - 145	8.6 - 10.0	150	4.25	3085							
H50	50	37.3	100 - 110	6.9 - 8.3	200	5.66	4562	72	131	114	57	46	1680	762
			125 - 145	8.6 - 10.0	186	5.27	3960							

**INSTALLATION REQUIREMENTS**

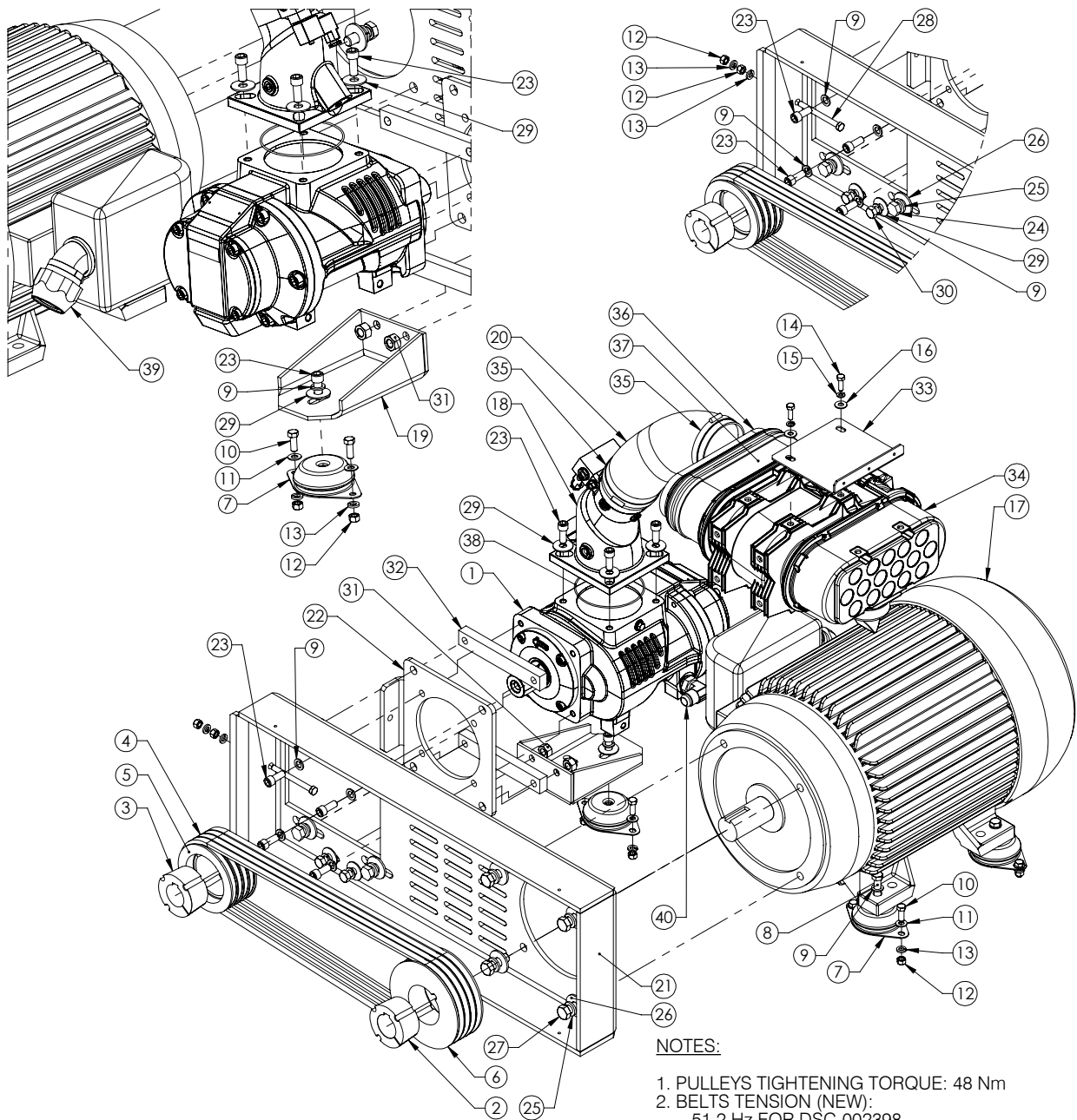
1. MAINTAIN 1.5M (4FT) DISTANCE FROM WALLS AND OTHER OBJECTS FOR PURPOSE OF COOLING AND SERVICING
2. COMPRESSOR MUST BE LEVEL AND ANCHORED TO SOLID LEVEL FLOOR
3. AMBIENT CONDITIONS:  
10°C (50°F) MIN. 40°C (104°F) MAX.



IMPORTANT NOTE: This print is the confidential property of DV SYSTEMS, INC. It is not to be used or reproduced in any manner, nor submitted to other parties for examination without the prior approval of DV SYSTEMS, INC. DV SYSTEMS, INC. is continually trying to improve its products, specifications subject to change without notice.



NAME OF PROJECT				DESCRIPTION OF DRAWING	
H40-50 SCREW COMPRESSOR				SALES-ENGINEERING DRAWING	
DRAWN BY	CHECKED BY	DATE	SCALE	DRAWING NO.	SHT NO/REV.
LT		7/31/17	N.T.S	H40 H50	



**NOTES:**

1. PULLEYS TIGHTENING TORQUE: 48 Nm
2. BELTS TENSION (NEW):
  - 51.2 Hz FOR DSC-002398
  - 47.9 Hz FOR DSC-002400 (H40-145)
  - 56.7 Hz FOR DSC-002229
  - 53.8 Hz FOR DSC-002400 (H50-145)

NO.	PART NUMBER	DESCRIPTION	QTY.
1	DSC-001980	H50 AIR END	1
2	DSC-001155	TAPER BUSHING FOR MOTOR PULLEY 1-7/8	1
3	DSC-002228	TAPER BUSHING FOR AIR END PULLEY 45 MM	1
4	DSC-002398 DSC-002229 DSC-002400	BELT H40 110 PSI (SPA1607 LD) BELT H50 110 PSI (XPA1607 LD) BELT H40-50 145 PSI (SPA632 LD)	4
5	PU-9255 PU-9272 PU-9268	AIR END PULLEY H40 110 PSI, H50 145 PSI AIR END PULLEY H40 145 PSI AIR END PULLEY H50 110 PSI	1
6	PU-9272 PU-9255 PU-9269	MOTOR PULLEY H40 110 PSI MOTOR PULLEY H40 145 PSI MOTOR PULLEY H50 110, 145 PSI	1
7	DSC-002010	H50 ISOLATOR	3
8	SS-10133	M12 X 45MM HHCS	2
9	SS-1506	1/2" MEDIUM LOCKWASHER	9
10	SS-25	3/8-16 X 1" HHCS GR2	6
11	SS-1525	3/8" FLAT WASHER	6
12	SS-657	3/8-16 HEX NUT	8
13	SS-1502	3/8" LOCKWASHER	8
14	SS-10105	M8 X 25MM HHCS	2
15	SS-1503	5/16" LOCKWASHER	2
16	SS-1524	5/16" FLAT WASHER	2
17	MO-9308 MO-9309 MO-9310 MO-9293 MO-9294 MO-9295	MOTOR 40HP, 200/60/3 MOTOR 40HP, 230/460 60/3 MOTOR 40HP, 575/60/3 MOTOR 50HP, 200/60/3 MOTOR 50HP, 230-460/60/3 MOTOR 50HP, 575/60/3	1
18	DSC-001986	H50 INTAKE VALVE	1
19	DSC-002233	AIR END BRACKET H50	1
20	DSC-002062	H50 & H40 BD AIR INLET DUCTING	1
21	DSC-002234	BELT GUARD H50	1
22	DSC-002235	AIR END PLATE H50	1
23	DSC-294	M12-1.75 X 30 SHCS	9
24	SS-81	5/8-11 X 1-3/4 HEX BOLT GR.5	4
25	SS-1508	5/8" MEDIUM LOCKWASHER	8
26	SS-1529	5/8" FLAT WASHER	8
27	DSC-261	5/8"-11 X 1-1/2 HEX BOLT GR 5	4
28	SS-33	3/8-16" X 4" HHCS	1
29	SS-1527	1/2" FLAT WASHER	7
30	SS-50	1/2-13 x 1.5" HHCS	2
31	SS-659	1/2-13 HEX NUT	2
32	DSC-002236	AIR END BAR H50	2
33	DSC-002013	H50 AIR FILTER BRACKET	1
34	DSC-002064	H50 INLET FILTER HOUSING W/FILTER	1
35	DSC-002063	H50 INTAKE FILTER CLAMP	2
36	DSC-002074	H50 AIR INLET SAFETY ELEMENT	1
37	DSC-002073	H50 INLET FILTER ELEMENT	1
38	DSC-001991	H50 INTAKE VALVE O-RING	1
39	DSC-001937	1-1/2" 45° PLASTIC CONNECTOR	1
40	DSC-002189	ELBOW-SWIVEL 3/4" BSPPM - JIC12	1

REV.	DATE	REVISION DESCRIPTION	PCN NO.
A	11/03/15	H50-145 PULLEY & BELTS	15-16
	9/03/13	NEW PROJECT	12-04

IMPORTANT NOTE: This print is the confidential property of DV SYSTEMS, INC. It is not to be used or reproduced in any manner, nor submitted to other parties for examination without the prior approval of DV SYSTEMS, INC. DV SYSTEMS, INC. is continually trying to improve its products, specifications subject to change without notice.

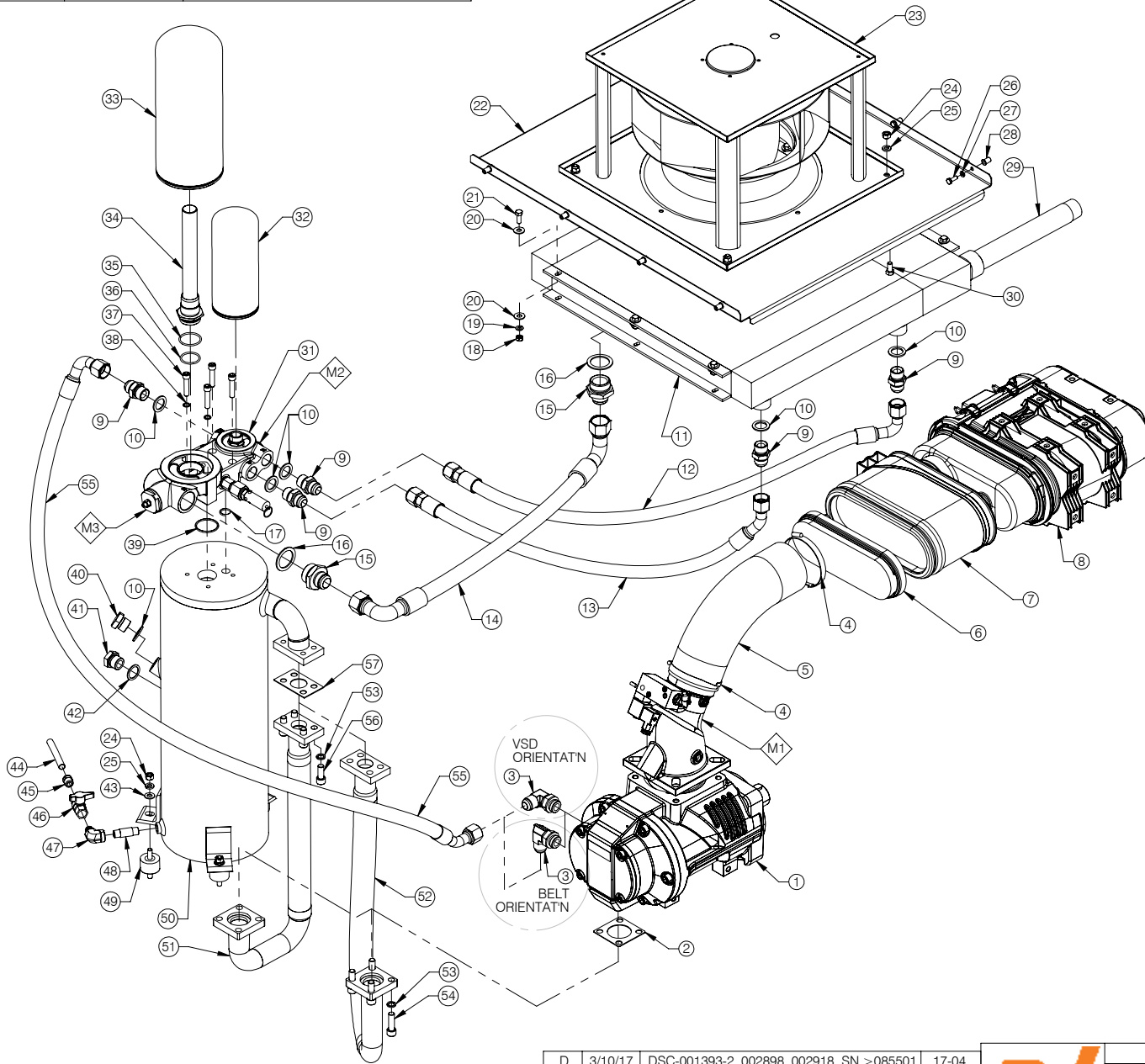


NAME OF PROJECT				DESCRIPTION OF DRAWING		
H40-50 BD SCREW COMPRESSOR				DRIVE COMPONENTS		
DRAWN BY		CHECKED BY	DATE	SCALE	DRAWING NO.	SHT NO/REV.
T.V.			9/03/13	N.T.S	H40-50 BD	D1 A

MAINTENANCE KITS		
M1	DSC-002075	H50 INTAKE VALVE REPAIR KIT
M2	DSC-111-1	THERMO VALVE REPAIR KIT
M3	DSC-231	MINIMUM PRESSURE VALVE REPAIR KIT
---	MK-H50	4000 HR MAINTENANCE KIT

NO.	PART NUMBER	DESCRIPTION	QTY.
1	DSC-001980	AIR END H-SERIES	1
2	DSC-002065	H50 AIR END OUTLET GASKET	1

NO.	PART NUMBER	DESCRIPTION	QTY.
3	DSC-002189	ELBOW-SWIVEL 3/4"BSPPM - JIC12	1
4	DSC-002063	H50 INTAKE FILTER CLAMP	2
5	DSC-002062	H50 AIR INLET DUCTING	1
6	DSC-002074	H50 AIR INLET SAFETY ELEMENT	1
7	DSC-002073	H50 INLET FILTER ELEMENT	1
8	DSC-002064	H50 INLET FILTER HOUSING W/FILTER	1
9	DSC-121	ADAPTER R3/4" - JIC12	5
10	DSC-120	BONDED WASHER 3/4" BSPP	6
11	DSC-155	HEAT EXCHANGER	1
12	DSC-002046	OIL RETURN HOSE TO MANIFOLD	1
13	DSC-001346	OIL OUTLET HOSE TO HEAT EXCHANGER	1
14	DSC-002047	AIR OUTLET HOSE TO HEAT EXCHANGER	1
15	DSC-123	ADAPTER 1-1/4"BSPP(M) - JIC 16	2
16	DSC-122	BONDED WASHER 1-1/4"BSPP	2
17	DSC-002724	O-RING C-SERIES THERMOVALVE INLET	1
18	SS-725	5/16" HEX NUT	6
19	SS-1503	5/16" LOCKWASHER	6
20	SS-1524	5/16" FLAT WASHER	12
21	SS-13	5/16-18 X 7/8 HHCS	6
22	DSC-002015	H50 FAN PLATE	1
23	DSC-001987	H50 FAN ASSEMBLY 575V	1
24	SS-657	3/8-16 HEX NUT	7
25	SS-1502	3/8" LOCKWASHER	7
26	DSC-597	1/4-20 X 0.75" HHCS	8
27	SS-1505	1/4" MEDIUM LOCKWASHER	8
28	SS-02001	1/4-20 THREADED INSERT	8
29	DSC-002067	EXHAUST PIPE 24", 1-1/4"NPT TAP ENDS	1
30	SS-23	3/8-16 X 3/4 HHCS B/M	4
31	DSC-002881	MANIFOLD ASSEMBLY G-SERIES II	1
32	DSC-624	OIL FILTER	1
33	DSC-002051	H50 AIR/OIL SEPARATOR FILTER	1
34	DSC-002068	H50 SEPARATOR TUBE	1
35	DSC-288	MANIFOLD ASSEMBLY O-RING	1
36	DSC-628	MANIFOLD SCAVENGE LINE O-RING	1
37	SS-01926	3/8-16 X 1-3/4 SHCS	4
38	DSC-001667	COPPER SEALING RING 1/8"BSPP	2
39	DSC-002882	O-RING G-SERIES A/O INLET	1
40	DSC-618	OIL FILL PLUG 3/4" BSPP	1
41	DSC-001907	OIL SIGHT GLASS 3/4" BSPP	1
42	DSC-002259	COPPER WASHER 3/4"BSPP WD	1
43	SS-1525	3/8" FLAT WASHER	3
44	R-8504	PE TUBING 1/2" OD	1
45	DD-00091	3/8"NPT X 1/2"DIA PNEU. FITTING	1
46	DSC-002828	BALL VALVE 3/8" NPTF X 3/8" NPTF	1
47	DSC-163	STREET ELBOW 3/8" NPT	1
48	SS-2108	NIPPLE 3/8"NPT X 2" LG	1
49	DSC-001330	VIBRATION ISOLATOR	3
50	DSC-001393-2	AIR/OIL RECEIVER G-SERIES II	1
51	DSC-002918	FLEXI-HOSE H40-50 FIXED SPEED	1
52	DSC-002898	FLEXI-HOSE H50VSD	1
53	DSC-244	M12 HC LOCKWASHER	8
54	DSC-245	M12 X 40MM SHCS	4
55	DSC-002048 (VSD) DSC-002278 (BELT-DR)	OIL RETURN HOSE TO AIR END	1
56	DSC-294	M12-1.75 X 30 SHCS	8
57	DSC-001146	G20-30 FLEXI HOSE GASKET	1



REV.	DATE	REVISION DESCRIPTION	PCN NO.
D	3/10/17	DSC-001393-2, 002898, 002918, SN.>085501	17-04
C	10/27/16	DSC-002940 ADDED	16-20
B	7/21/15	OIL DRAIN ASSEMBLY PARTS	15-05
A	6/18/14	MANIFOLD O-RINGS	---

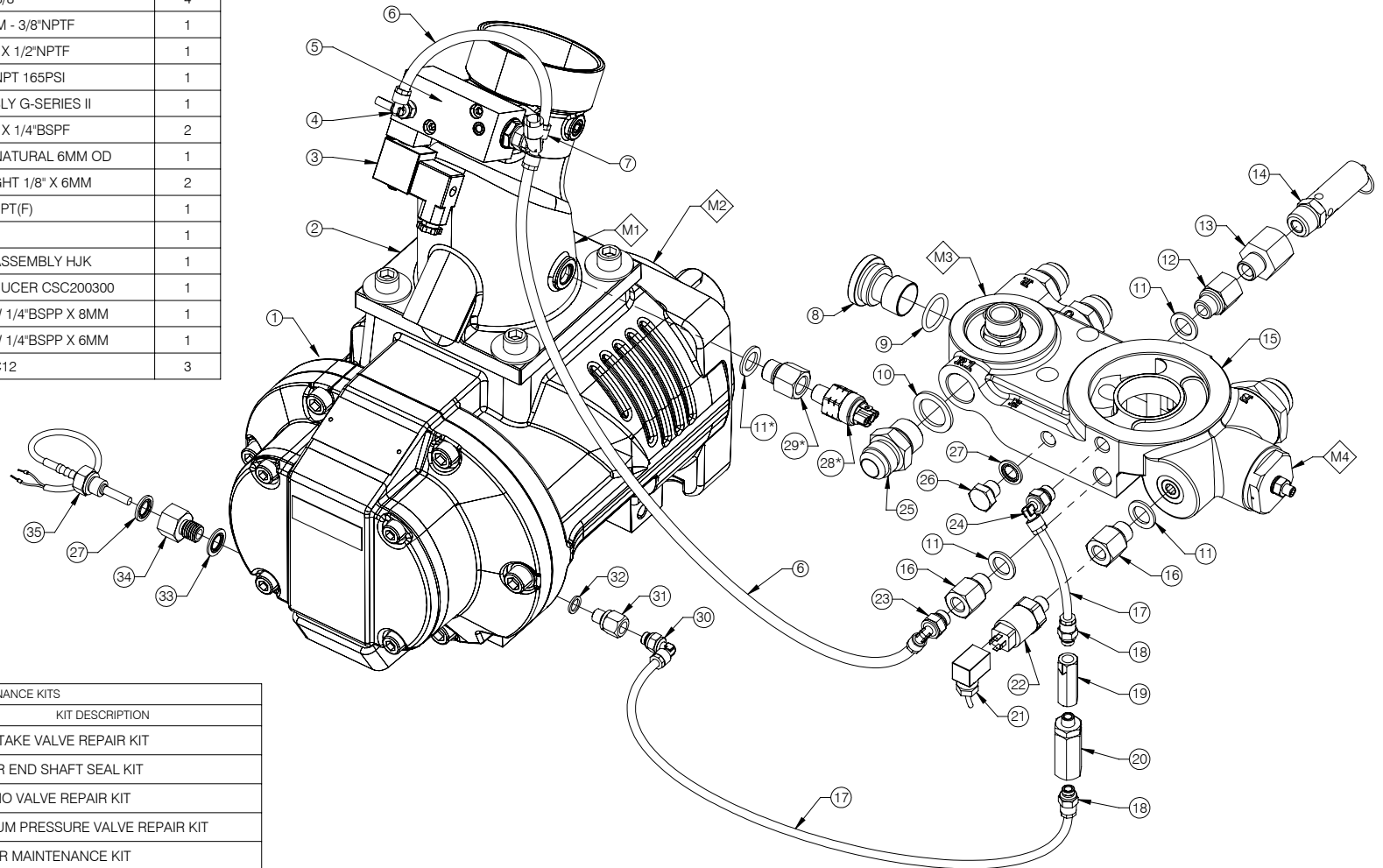


NAME OF PROJECT				DESCRIPTION OF DRAWING	
H50 VSD SCREW COMPRESSOR				SYSTEM COMPONENTS	
DRAWN BY	CHECKED BY	DATE	SCALE	DRAWING NO.	SHT NO/REV.
LT		1/31/12	N.T.S	H40-50 BD H50VSD	D2 D

IMPORTANT NOTE: This print is the confidential property of DV SYSTEMS, INC. It is not to be used or reproduced in any manner, nor submitted to other parties for examination without the prior approval of DV SYSTEMS, INC. DV SYSTEMS, INC. is continually trying to improve its products, specifications subject to change without notice.

ITEM NO.	PART NUMBER	DESCRIPTION	QTY.
1	DSC-001980	AIR END H-SERIES	1
2	DSC-001986	INTAKE VALVE H-SERIES	1
3	DSC-002052	SOLENOID GH-SERIES N.C.	1
4	DSC-376	PNEUMATIC ELBOW 1/8"BSPP X 8MM	1
5	DSC-002209	INTAKE VALVE CNTRL BLOCK GH-SERIES	1
6	DSC-381	PNEUMATIC TUBE BLACK 8MM OD	2
7	DSC-110	PNEUMATIC TEE 1/4"BSPP X 8MM	1
8	DSC-712	THERMO VALVE CAP	1
9	DSC-711	THERMO VALVE CAP O-RING	1
10	DSC-120	BONDED WASHER 3/4" BSPP	3
11	DSC-427	BONDED WASHER 3/8"	4
12	DSC-279	ADAPTER 3/8"BSPPM - 3/8"NPTF	1
13	DSC-436	ADAPTER 3/8"NPTM X 1/2"NPTF	1
14	TIA-6165	SAFETY VALVE 1/2"NPT 165PSI	1
15	DSC-002881	MANIFOLD ASSEMBLY G-SERIES II	1
16	DSC-278	ADAPTER 3/8"BSPPM X 1/4"BSPP	2
17	DSC-382	PNEUMATIC TUBE NATURAL 6MM OD	1
18	DSC-175	PNEUMATIC STRAIGHT 1/8" X 6MM	2
19	DSC-001358	CHECK VALVE 1/8"NPT(F)	1
20	DSC-612	INLINE FILTER	1
21	DSC-002904	SOLENOID CABLE ASSEMBLY HJK	1
22	DSC-001237	PRESSURE TRANSDUCER CSC200300	1
23	DSC-377	PNEUMATIC ELBOW 1/4"BSPP X 8MM	1
24	DSC-158	PNEUMATIC ELBOW 1/4"BSPP X 6MM	1
25	DSC-121	ADAPTER R3/4" - JIC12	3

ITEM NO.	PART NUMBER	DESCRIPTION	QTY.
26	DSC-002958	PLUG 1/4"BSPP	1
27	DSC-001217	BONDED WASHER 1/4" BSPP	2
28	DSC-102*	ANTI-ROTATION PRESSURE SWITCH	1
29	DSC-426*	ADAPTER 3/8"BSPPM - 1/4"NPTF	1
30	DSC-185	PNEUMATIC ELBOW 1/8"BSPP X 6MM	1
31	DSC-677	ORIFICE 1MM	1
32	DSC-001667	COPPER SEALING RING 1/8"BSPP	3
33	DSC-002059	BONDED WASHER M14	1
34	DSC-002066	THERMAL WELL H50	1
35	DSC-002907	TEMPERATURE SENSOR CSC200300 HJKN	1



MAINTENANCE KITS		
M NO.	PART NO.	KIT DESCRIPTION
M1	DSC-002075	H50 INTAKE VALVE REPAIR KIT
M2	DSC-002076	H50 AIR END SHAFT SEAL KIT
M3	DSC-111-1	THERMO VALVE REPAIR KIT
M4	DSC-231	MINIMUM PRESSURE VALVE REPAIR KIT
---	MK-H50	4000 HR MAINTENANCE KIT

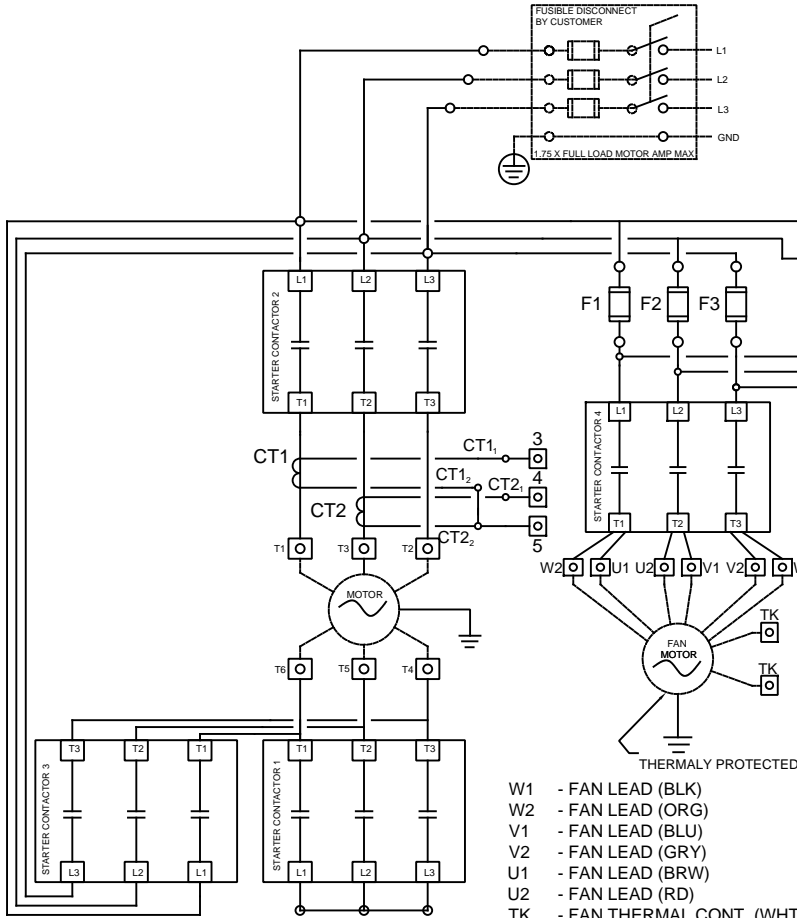
IMPORTANT NOTE: This print is the confidential property of DV SYSTEMS, INC. It is not to be used or reproduced in any manner, nor submitted to other parties for examination without the prior approval of DV SYSTEMS, INC.

B	3/01/17	DSC-002881 MANIFOLD & PARTS SN > 085501	17-04
A	6/26/14	BD-VSD COMBINED, ANTY-ROTATION PARTS FOR REF	14-15
REV.	DATE	REVISION DESCRIPTION	PCN NO.



NAME OF PROJECT				DESCRIPTION OF DRAWING	
H40-50 SCREW COMPRESSOR				PNEUMATIC COMPONENTS	
DRAWN BY	CHECKED BY	DATE	SCALE	DRAWING NO.	SHT NO/REV.
LT		3/01/17	N.T.S	H40-50 BD H50VSD	D3 B

POWER CIRCUIT SCHEMATIC

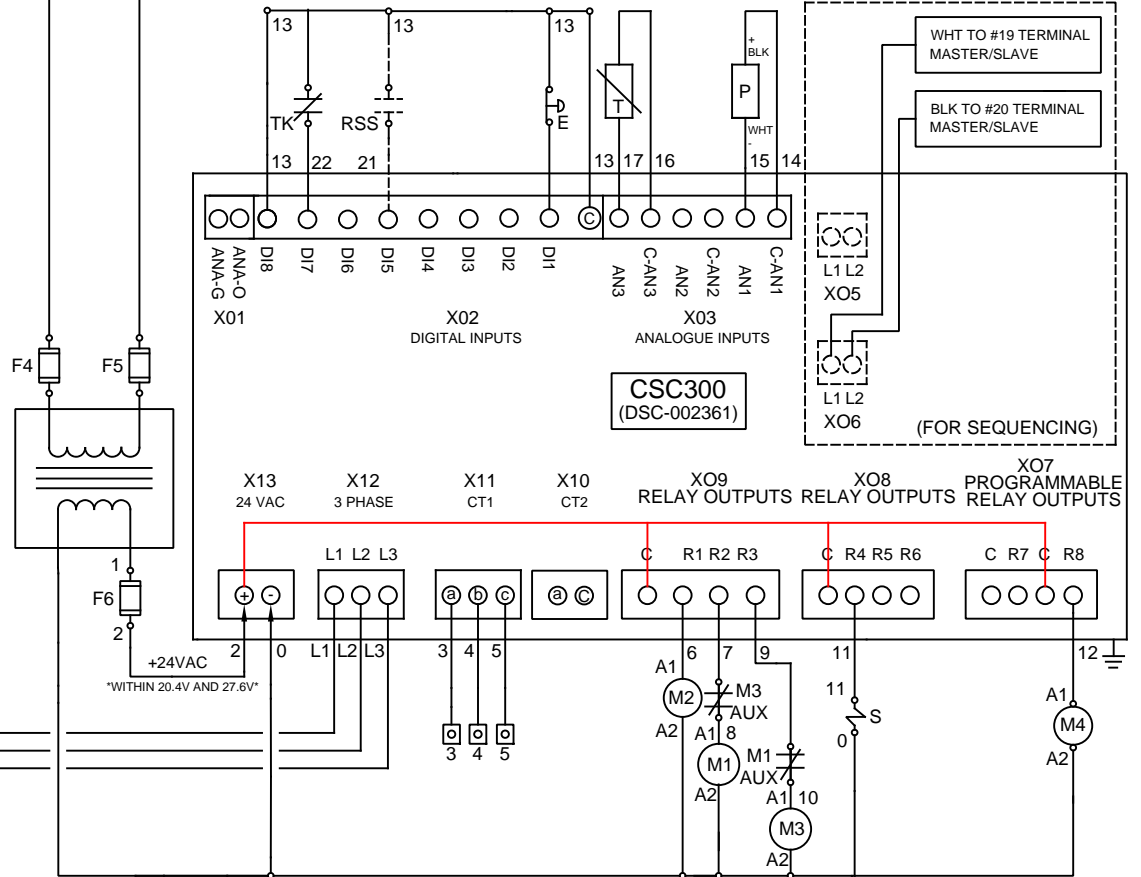


		FUSE TABLE						
VOLTAGE	HP	ATOR, CC TIME DELAY			ATOR, CC		SMM TIME DELAY	
		F1	F2	F3	F4	F5		F6
200	40	4	4	4	3	3	7	NA
	50						7	NA
230	40	4	4	4	2	2	7	NA
	50						7	NA

WARNING: USE THE SAME FUSE TYPE & RATING

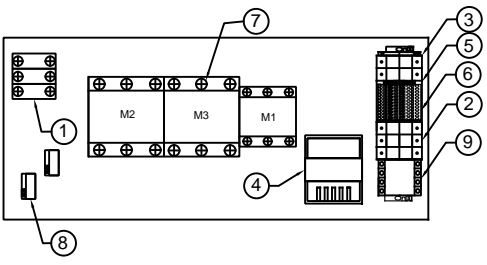
REV.	DATE	REVISION DESCRIPTION	PCN NO.
D	06/17/16	RSS INSTRUCTIONS UPDATED	---
E	04/26/17	TRANSFORMER FUSE RATING CHANGED	---

- E - EMERGENCY STOP
- CT1 - CURRENT SENSOR #1
- CT2 - CURRENT SENSOR #2
- F1 - FAN FUSE #1
- F2 - FAN FUSE #2
- F3 - FAN FUSE #3
- F4/F5 - TRANSFORMER PRI. FUSE
- F6 - TRANSFORMER SEC. FUSE
- M1 - STARTER COIL 1
- M2 - STARTER COIL 2
- M3 - STARTER COIL 3
- M4 - FAN STARTER COIL
- P - PRESSURE TRANSDUCER
- S - SOLENOID N.C.
- T - TEMPERATURE SENSOR
- RSS - REMOTE START/STOP, N/O (FIELD OPTION: INSTALL RSS TO #21 AND #13 TERMINAL BLOCK. INSTALL WIRE FROM #21 TO DI5. ON P18 CHANGE P18.08 FROM 'OFF' TO 'DI REMOTE START'. ON P10 CHANGE P10.12 FROM 'KEYPAD' TO 'EQUIPMENT DI'.)



- W1 - FAN LEAD (BLK)
- W2 - FAN LEAD (ORG)
- V1 - FAN LEAD (BLU)
- V2 - FAN LEAD (GRY)
- U1 - FAN LEAD (BRW)
- U2 - FAN LEAD (RD)
- TK - FAN THERMAL CONT. (WHT)

PANEL SCHEMATIC



- ① JUNCTION BLOCK
- ② FAN FUSES F1, F2, F3
- ③ PRIMARY FUSES F4, F5
- ④ TRANSFORMER
- ⑤ SECONDARY FUSES F3
- ⑥ TERMINAL BLOCK
- ⑦ MOTOR STARTERS
- ⑧ CURRENT SENSOR
- ⑨ FAN STARTER

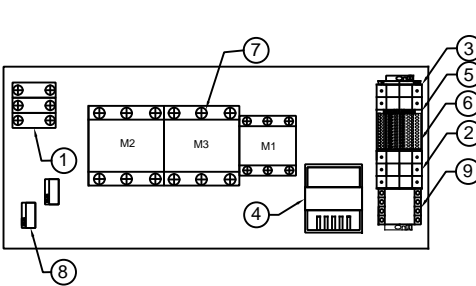
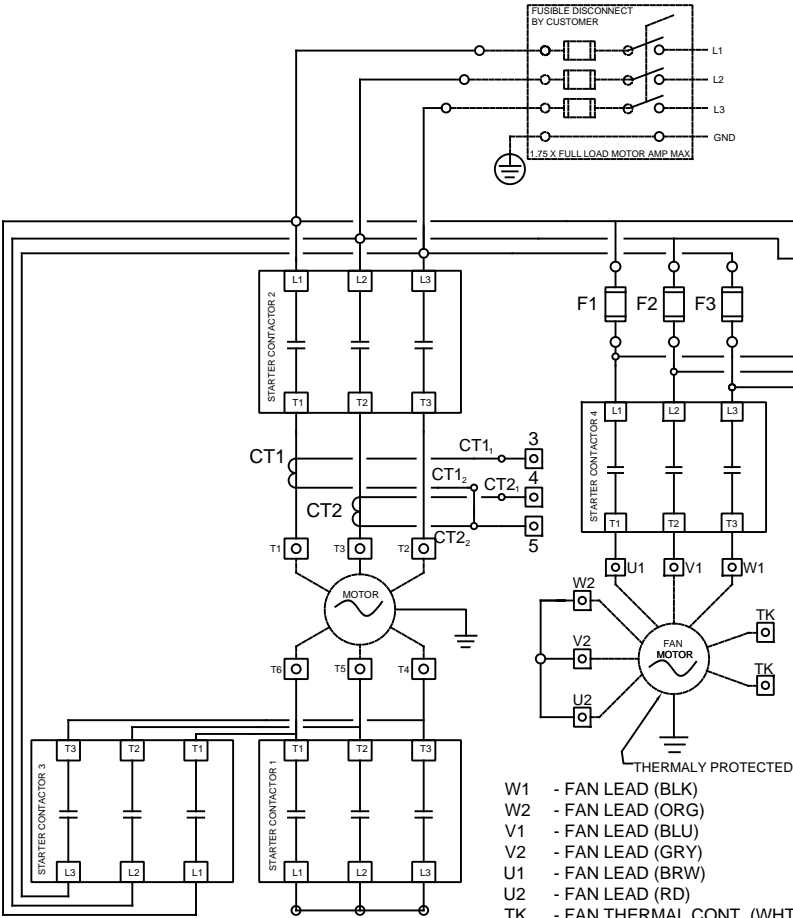
IMPORTANT NOTE: This print is the confidential property of DV SYSTEMS, INC. It is not to be used or reproduced in any manner, nor submitted to other parties for examination without the prior approval of DV SYSTEMS, INC. DV SYSTEMS, INC. is continuously trying to improve its products, specifications subject to change without notice.

FRACTIONAL DIMENSIONS: ±1/32  
 DECIMAL DIMENSION: ±.005  
 ANGLES: ±1°  
 \*UNLESS OTHERWISE SPECIFIED



NAME OF PROJECT				DESCRIPTION OF DRAWING		
H-SERIES FIXED SPEED COMPRESSOR WITH CSC300 (200V & 230V)				ELECTRICAL SCHEMATICS WITH MICROPROCESSOR		
DRAWN BY				DRAWING NO.		SHT NO/REV
CHECKED BY				CSC300H-200/230		E
DATE		SCALE				
05/14/15		N.T.S.				

POWER CIRCUIT SCHEMATIC



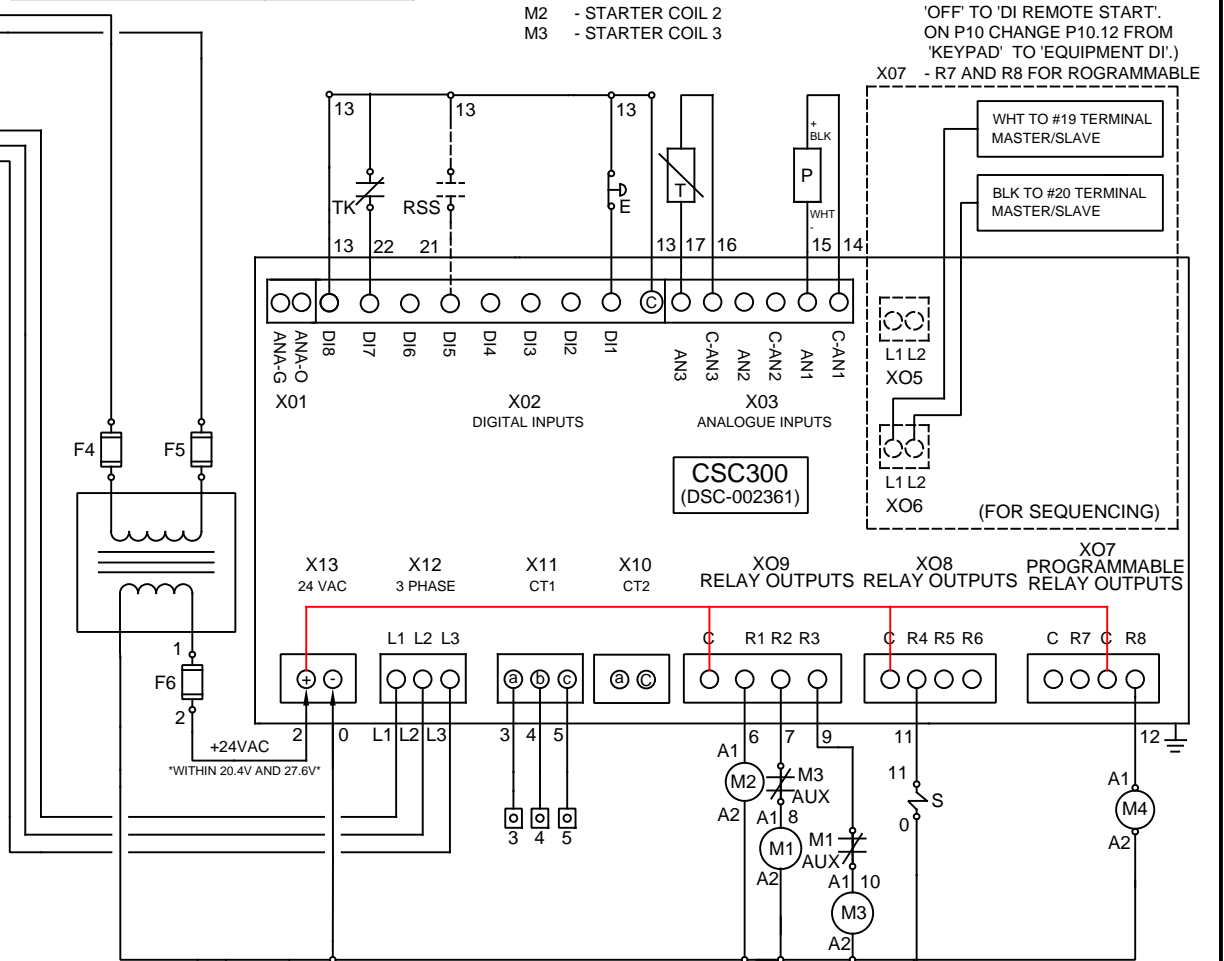
- W1 - FAN LEAD (BLK)
  - W2 - FAN LEAD (ORG)
  - V1 - FAN LEAD (BLU)
  - V2 - FAN LEAD (GRY)
  - U1 - FAN LEAD (BRW)
  - U2 - FAN LEAD (RD)
  - TK - FAN THERMAL CONT. (WHT)
- PANEL SCHEMATIC
- ① JUNCTION BLOCK
  - ② FAN FUSES F1, F2, F3
  - ③ PRIMARY FUSES F4, F5
  - ④ TRANSFORMER
  - ⑤ SECONDARY FUSES F6, F7
  - ⑥ TERMINAL BLOCK
  - ⑦ MOTOR STARTERS
  - ⑧ CURRENT SENSOR
  - ⑨ FAN STARTER

VOLTAGE		HP		ATOR, CC TIME DELAY			ATOR, CC		SMM TIME DELAY	
		F1	F2	F3	F4	F5	F6	NA	F6	NA
460	40	2.5	2.5	2.5	1	1		7	NA	
	50							7	NA	
575	40	2	2	2	1	1		5	NA	
	50							7	NA	

WARNING: USE THE SAME FUSE TYPE & RATING

REV.	DATE	REVISION DESCRIPTION	PCN NO.
E	06/17/16	RSS INSTRUCTIONS UPDATED	---
F	04/26/17	TRANSFORMER FUSE RATING CHANGED	---

- E - EMERGENCY STOP
- CT1 - CURRENT SENSOR #1
- CT2 - CURRENT SENSOR #2
- F1 - FAN FUSE #1
- F2 - FAN FUSE #2
- F3 - FAN FUSE #3
- F4/F5 - TRANSFORMER PRI. FUSE
- F6 - TRANSFORMER SEC. FUSE
- M1 - STARTER COIL 1
- M2 - STARTER COIL 2
- M3 - STARTER COIL 3
- M4 - FAN STARTER COIL
- P - PRESSURE TRANSDUCER
- S - SOLENOID N.C.
- T - TEMPERATURE SENSOR
- RSS - REMOTE START/STOP, N/O (FIELD OPTION: INSTALL RSS TO #21 AND #13 TERMINAL BLOCK. INSTALL WIRE FROM #21 TO DI5. ON P18 CHANGE P18.08 FROM 'OFF' TO 'DI REMOTE START'. ON P10 CHANGE P10.12 FROM 'KEYPAD' TO 'EQUIPMENT DI'.)
- X07 - R7 AND R8 FOR ROGRAMMABLE



IMPORTANT NOTE: This print is the confidential property of DV SYSTEMS, INC. It is not to be used or reproduced in any manner, nor submitted to other parties for examination without the prior approval of DV SYSTEMS, INC. DV SYSTEMS, INC. is continuously trying to improve its products, specifications subject to change without notice.

FRACTIONAL DIMENSIONS: ±1/32  
 DECIMAL DIMENSION: ±.005  
 ANGLES: ±1'  
 \*UNLESS OTHERWISE SPECIFIED



NAME OF PROJECT				DESCRIPTION OF DRAWING			
H-SERIES FIXED SPEED COMPRESSOR WITH CSC300 (460V & 575V)				ELECTRICAL SCHEMATICS WITH MICROPROCESSOR			
DRAWN BY		CHECKED BY		DATE		SCALE	
EH				05/14/15		N.T.S.	
DRAWING NO.				SHT NO/REV			
CSC300H-460/575				F			