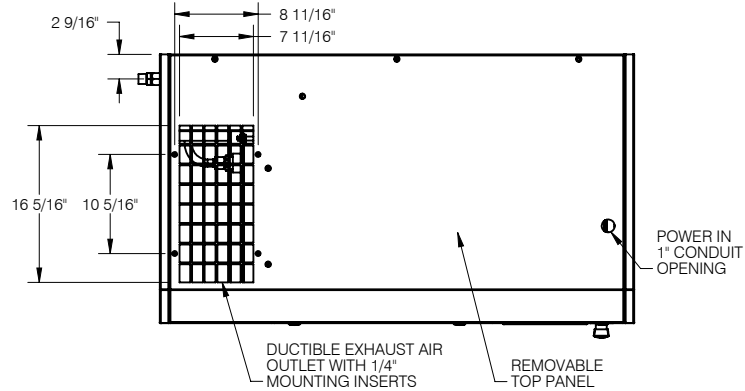
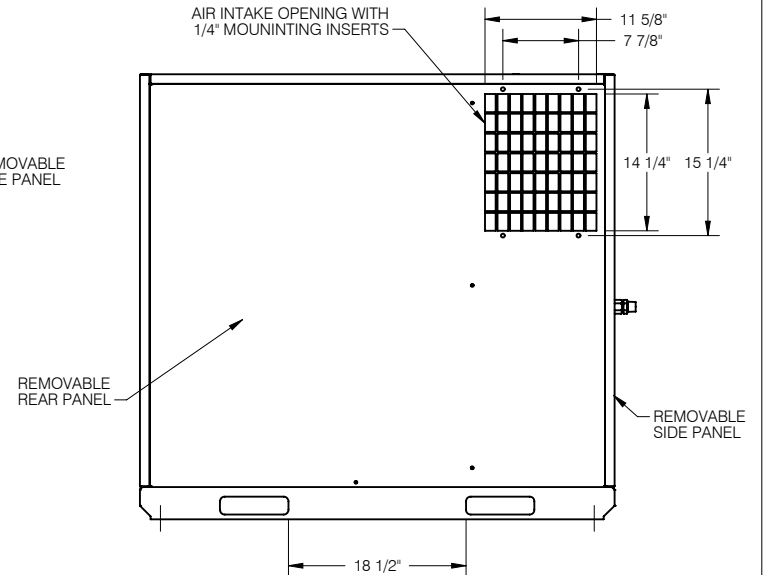
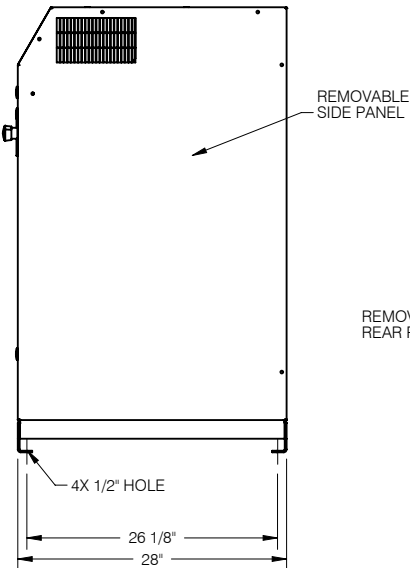
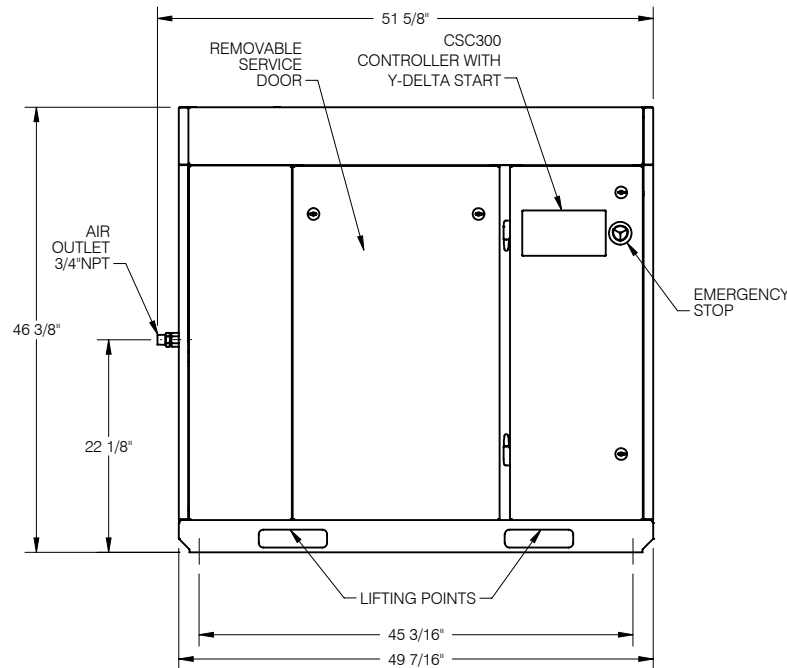


MODEL NO.	HP	PRESSURE PSI	SCFM @ MAX. PRESSURE	NOMINAL SOUND @ 1 METRE	MOTOR NAMEPLATE AMP				WEIGHT LBS
					3-PHASE				
					200V	230V	460V	575V	
G20	20	100-120	82	67 dBA	53	46	23	18.4	1120
		125-145	73						
G25	25	100-120	100	68 dBA	65	56	28	22.7	1120
		125-145	91						
G30	30	100-120	116	69 dBA	78	68	34	27	1120
		125-145	106						



**INSTALLATION REQUIREMENTS**

1. MAINTAIN 3 FEET DISTANCE FROM WALLS AND OTHER OBJECTS FOR PURPOSE OF COOLING AND SERVICING
2. COMPRESSOR MUST BE LEVEL AND ANCHORED DOWN TO SOLID LEVEL FLOOR.
3. AMBIENT CONDITIONS:  
10°C (50°F) MIN. 40°C (104°F) MAX.
4. APPROACH TEMP. FROM TANK 5°C (41°F).



IMPORTANT NOTE: This print is the confidential property of DV SYSTEMS, INC. It is not to be used or reproduced in any manner, nor submitted to other parties for examination without the prior approval of DV SYSTEMS, INC. DV SYSTEMS, INC. is continually trying to improve its products, specifications subject to change without notice.

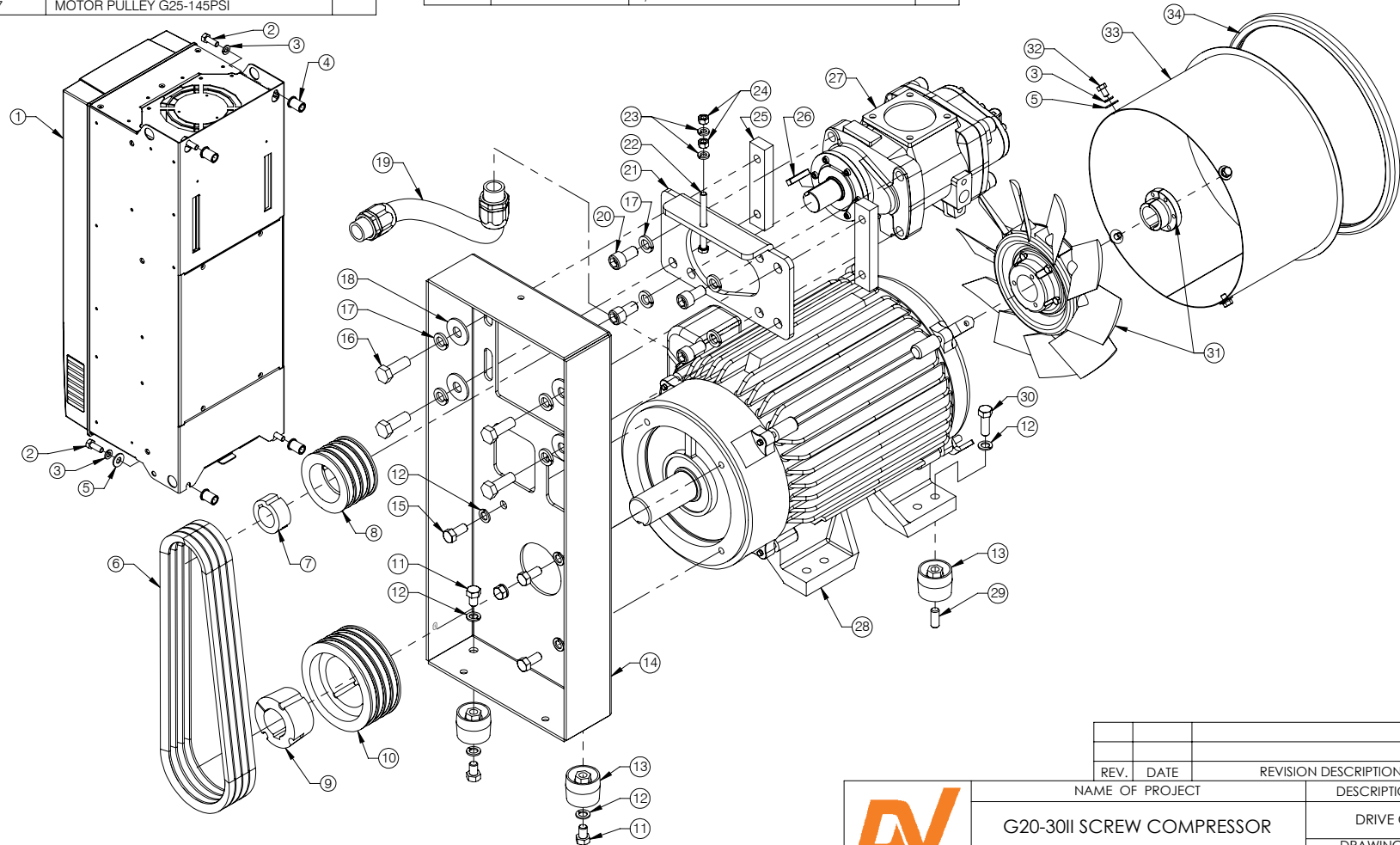


NAME OF PROJECT				DESCRIPTION OF DRAWING	
G20-30 SCREW COMPRESSOR				SALES-ENGINEERING DRAWING	
DRAWN BY	CHECKED BY	DATE	SCALE	DRAWING NO.	SHT NO/REV.
LT		2/13/17	N.T.S	G20 G25 G30	

ITEM NO.	PART NUMBER	DESCRIPTION	QTY.
1	DSC-002961	INVERTER G25-200V, G30-230V	1
	DSC-002962	INVERTER G30-200V	
	DSC-002963	INVERTER G30-460V	
	DSC-002964	INVERTER G25-575V, G30-575V	
	DSC-002965	INVERTER G25-230V	
DSC-002966	INVERTER G25-460V		
2	SS-13	5/16-18 X 7/8" HHCS	4
3	SS-1503	5/16" LOCKWASHER	8
4	SS-02002	5/16-18 THREADED INSERT	4
5	SS-1524	5/16" FLAT WASHER	6
6	DSC-001158	BELT G20-120PSI	4
	DSC-001159	BELT G25	
	DSC-001160	BELT G30	
	DSC-001417	BELT G20-145PSI	
7	DSC-001669	AIR END BUSHING G20, G30	1
	DSC-001670	AIR END BUSHING G25	
8	PU-9253	AIR END PULLEY G20-120PSI, G30-120PSI	1
	PU-9254	AIR END PULLEY G25	
	PU-9256	AIR END PULLEY G20-145PSI, G30-145PSI	
9	DSC-001155	MOTOR BUSHING G25, G30	1
	DSC-001396	MOTOR BUSHING G20	
10	PU-9254	MOTOR PULLEY G20	1
	PU-9255	MOTOR PULLEY G25-120PSI, G30	
	PU-9257	MOTOR PULLEY G25-145PSI	

ITEM NO.	PART NUMBER	DESCRIPTION	QTY.
11	SS-45	1/2-13 X 1.125" HHCS	4
12	SS-1506	1/2" MEDIUM LOCKWASHER	10
13	ACC-9079	VIBRATION ISOLATOR	4
14	DSC-002927	MOTOR-AIR END FRAME	1
15	SS-73	1/2-13 X 1.125" HHCS	4
16	SS-81	5/8-11 X 1-3/4" HEX BOLT GR.5	4
17	SS-1508	5/8" MEDIUM LOCKWASHER	8
18	SS-1529	5/8" FLAT WASHER	4
19	MH-9078	MOTOR HARNESS G20-25-200V, G30-200V	1
	MH-9079	MOTOR HARNESS G20-230V	
	MH-9080	MOTOR HARNESS G20-460V	
	MH-9081	MOTOR HARNESS G20, G25-575V	
	MH-9082	MOTOR HARNESS G25-230V, G30-200V	
	MH-9083	MOTOR HARNESS G25-460V	
	MH-9084	MOTOR HARNESS G30-460V	
	MH-9085	MOTOR HARNESS G30-575V	
	MH-9086	MTR HARN. G25VSD-200V, G25-30VSD-230V	
	MH-9087	MOTOR HARNESS G25-30VSD-460V	
MH-9088	MOTOR AHRNESS G25,30VSD-575V		
20	DSC-001142	M16-2.0 X 30MM GR12.9 SHCS	4
21	DSC-001110	AIR END PLATE	1
22	SS-33	3/8-16" X 4" HHCS	1

ITEM NO.	PART NUMBER	DESCRIPTION	QTY.
23	SS-1502	3/8" LOCKWASHER	2
24	SS-657	3/8-16 HEX NUT	2
25	DSC-001111	AIR END MOUNTING BAR	2
26	DSC-614	SHAFT KEY G-SERIES AIR END	1
27	DSC-001186	AIR END G-SERIES	1
28	MO-9300	MOTOR 20HP 200/60/3	1
	MO-9301	MOTOR 20HP 230-460/60/3	
	MO-9302	MOTOR 20HP 575/60/3	
	MO-9267	MOTOR 25HP 200/60/3	
	MO-9268	MOTOR 25HP 230-460/60/3	
	MO-9269	MOTOR 25HP 575/60/3	
	MO-9270	MOTOR 30HP 200/60/3	
MO-9271	MOTOR 30HP 230-460/60/3		
MO-9272	MOTOR 30HP 575/60/3		
29	DSC-002895	MOTOR ISOLATOR STUD	2
30	SS-50	1/2-13 x 1.5" HHCS	2
31	DSC-657	FAN & BUSHING ASSEMBLY G20	1
	DSC-001151	FAN & BUSHING ASSEMBLY G25-30	
32	SS-11	5/16-18 X 1/2" HHCS	4
33	DSC-002930	SHROUD	1
34	DSC-002255	FAN SHROUD GASKET	44.25*



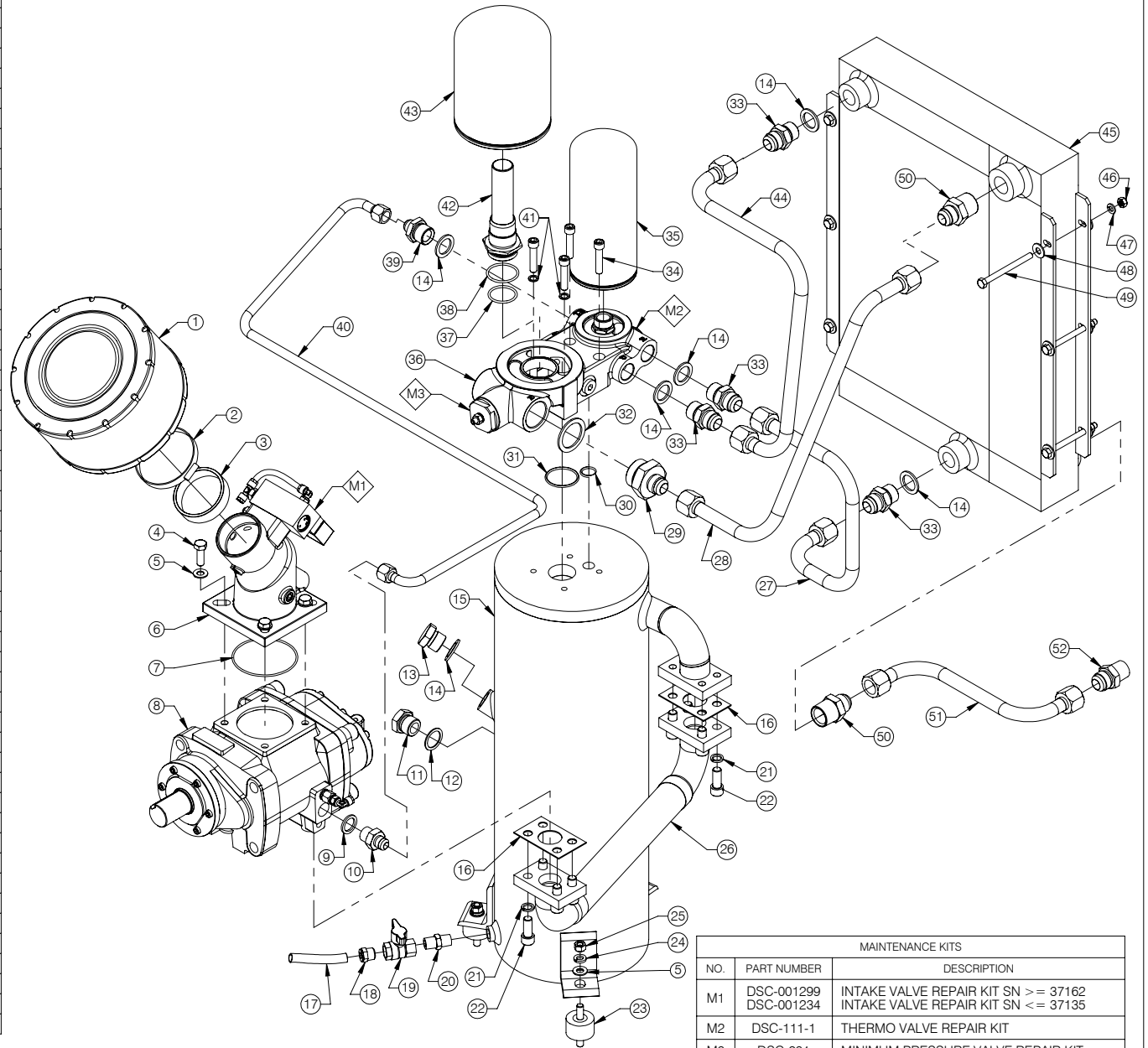
REV.	DATE	REVISION DESCRIPTION	PCN NO.

NAME OF PROJECT				DESCRIPTION OF DRAWING	
G20-30II SCREW COMPRESSOR				DRIVE COMPONENTS	
DRAWN BY	CHECKED BY	DATE	SCALE	DRAWING NO.	SHT NO/REV.
LT		2/08/17	N.T.S	G20-30II	D1

IMPORTANT NOTE: This print is the confidential property of DV SYSTEMS, INC. It is not to be used or reproduced in any manner, nor submitted to other parties for examination without the prior approval of DV SYSTEMS, INC.



ITEM NO.	PART NUMBER	DESCRIPTION	QTY.
1	DSC-001961	G-SERIES AIR FILTER	1
2	DSC-001962	G-SERIES INTAKE FILTER CLAMP	1
3	DSC-001965	G-SERIES INTAKE VALVE COLLAR	1
4	SS-10114	M10 X 30MM HHCS	4
5	SS-1525	3/8" FLAT WASHER	7
6	DSC-001960	G-SERIES INTAKE VALVE	1
7	DSC-002044	O-RING AIR END-INTAKE VALVE	1
8	DSC-001186	AIR END G-SERIES	1
9	DSC-200	BONDED WASHER 1/2" BSPP	1
10	DSC-001214	ADAPTER 1/2"BSPP - JIC 8	1
11	DSC-001907	OIL SIGHT GLASS 3/4" BSPP	1
12	DSC-002259	COPPER WASHER 3/4"BSPP WD	1
13	DSC-618	OIL FILL PLUG 3/4" BSPP	1
14	DSC-120	BONDED WASHER 3/4" BSPP	6
15	DSC-001393-2	AIR/OIL RECEIVER G-SERIES II	1
16	DSC-001146	G20-30 FLEXI HOSE GASKET	2
17	R-8504	PE TUBING 1/2" OD	1
18	DD-00091	3/8"NPT X 1/2"DIA PNEU. FITTING	1
19	DSC-002828	BALL VALVE 3/8" NPTF X 3/8" NPTF	1
20	DSC-002826	ADAPTER 3/8"NPT(M) - 3/8"NPT(M)	1
21	DSC-244	M12 HC LOCKWASHER	8
22	DSC-294	M12-1.75 X 30 SHCS	8
23	DSC-001330	VIBRATION ISOLATOR	3
24	SS-1502	3/8" LOCKWASHER	3
25	SS-657	3/8-16 HEX NUT	3
26	DSC-002880	FLEXI-HOSE G-SERIES II	1
27	DSC-002884	3/4 STEEL TUBE OIL FROM COOLER	1
28	DSC-002887	3/4 STEEL AIR OUT	1
29	DSC-124	ADAPTER 1-1/4"BSPP(M) - JIC 12	1
30	DSC-002724	O-RING C-SERIES THERMOVALVE INLET	1
31	DSC-002882	O-RING G-SERIES A/O INLET	1
32	DSC-122	BONDED WASHER 1-1/4"BSPP	1
33	DSC-121	ADAPTER R3/4" - JIC12	4
34	SS-01926	3/8-16 X 1-3/4 SHCS	4
35	DSC-624	OIL FILTER	1
36	DSC-002881	MANIFOLD ASSEMBLY G-SERIES II	1
37	DSC-628	MANIFOLD SCAVENGE LINE O-RING	1
38	DSC-288	MANIFOLD ASSEMBLY O-RING	1
39	DSC-567	ADAPTER R3/4" - JIC8	1
40	DSC-002886	1/2 STEEL TUBE OIL RETURN	1
41	DSC-001667	COPPER SEALING RING 1/8"BSPP	2
42	DSC-001235	G20-30 SEPARATOR TUBE	1
43	DSC-001148	AIR/OIL SEPARATOR FILTER	1
44	DSC-002883	3/4 STEEL TUBE OIL TO COOLER	1
45	DSC-001150	HEAT EXCHANGER	1
46	SS-725	5/16" HEX NUT	6
47	SS-1503	5/16" LOCKWASHER	6
48	SS-1524	5/16" FLAT WASHER	12
49	SS-159	5/16-18 X 3.75" HHCS	6
50	DSC-002151	ADAPTER 1"NPT(M) - JIC 12	2
51	DSC-002888	3/4 STEEL TUBE DRYER INLET	1
52	DSC-237	ADPTR 3/4"NPT(M)-JIC12(M) (FLR-MTD ONLY)	1



MAINTENANCE KITS		
NO.	PART NUMBER	DESCRIPTION
M1	DSC-001299 DSC-001234	INTAKE VALVE REPAIR KIT SN >= 37162 INTAKE VALVE REPAIR KIT SN <= 37135
M2	DSC-111-1	THERMO VALVE REPAIR KIT
M3	DSC-231	MINIMUM PRESSURE VALVE REPAIR KIT
---	MK-G20-30-1 MK-G20-30	4000 HOUR MAINTENANCE KIT SN >= 37162 4000 HOUR MAINTENANCE KIT SN <= 37135

IMPORTANT NOTE: This print is the confidential property of DV SYSTEMS, INC. It is not to be used or reproduced in any manner, nor submitted to other parties for examination without the prior approval of DV SYSTEMS, INC.

REV.	DATE	REVISION DESCRIPTION	PCN NO.

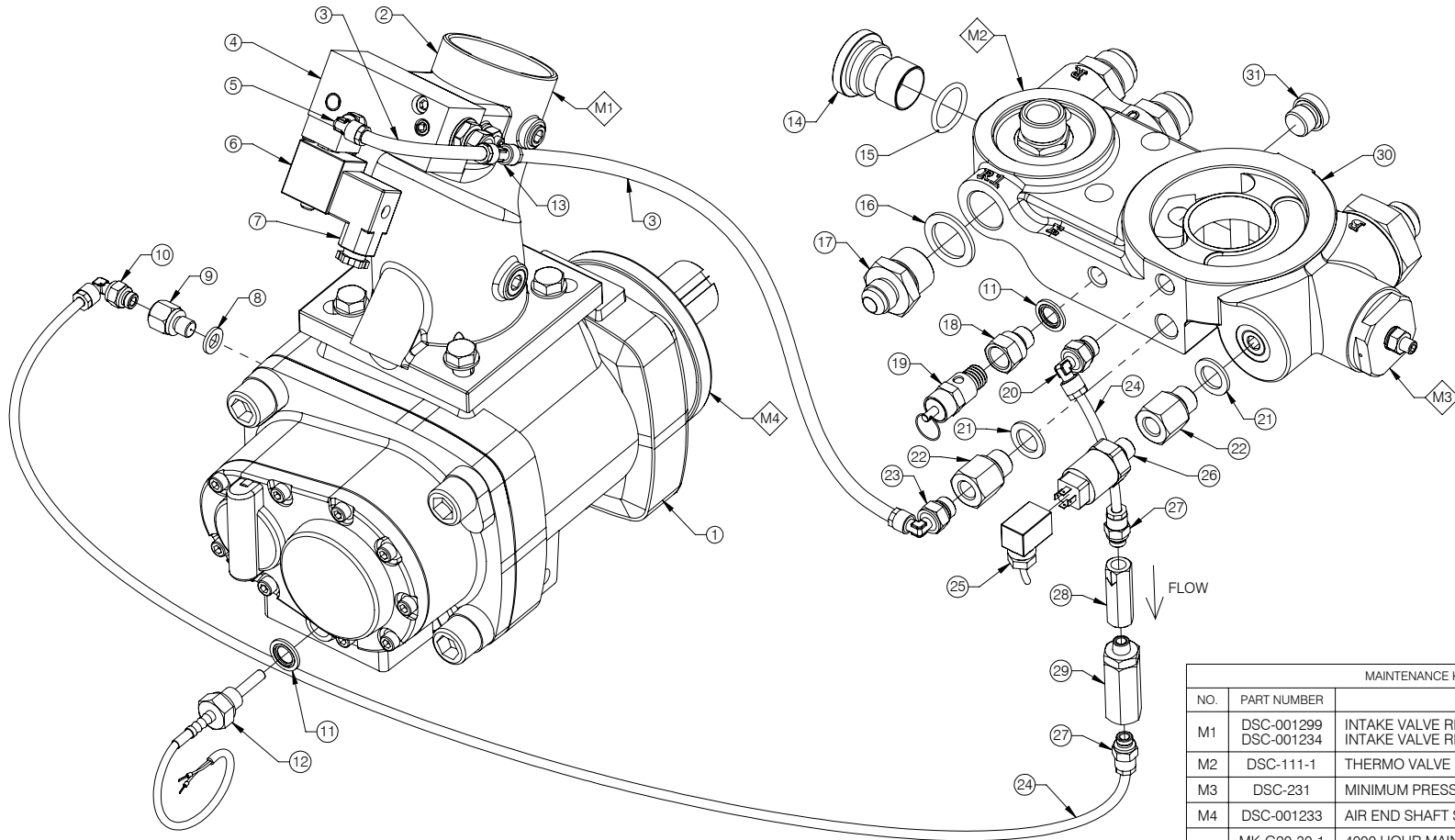


NAME OF PROJECT				DESCRIPTION OF DRAWING	
G20-30II SCREW COMPRESSOR				SYSTEM COMPONENTS	
DRAWN BY	CHECKED BY	DATE	SCALE	DRAWING NO.	SHT NO/REV.
LT		2/17/17	N.T.S	G20-30II	D2

ITEM NO.	PART NUMBER	DESCRIPTION	QTY.
1	DSC-001186	AIR END G-SERIES	1
2	DSC-001960	G-SERIES INTAKE VALVE	1
3	DSC-381	PNEUMATIC TUBE BLACK 8MM OD	2
4	DSC-002209	INTAKE VALVE CONTROL BLOCK	1
5	DSC-376	PNEUMATIC ELBOW 1/8"BSPP X 8MM	1
6	DSC-002052	SOLENOID G-SERIES N.C.	1
7	DSC-002872	SOLENOID CABLE G-SERIES	1
8	DSC-263	1/8" BONDED WASHER	1
9	DSC-677	ORIFICE 1MM	1
10	DSC-185	PNEUMATIC ELBOW 1/8"BSPP X 6MM	1
11	DSC-001217	BONDED WASHER 1/4" BSPP	2
12	DSC-001238	TEMPERATURE SENSOR CSC200300	1

ITEM NO.	PART NUMBER	DESCRIPTION	QTY.
13	DSC-110	PNEUMATIC TEE 1/4"BSPP X 8MM	1
14	DSC-712	THERMO VALVE CAP	1
15	DSC-711	THERMO VALVE CAP O-RING	1
16	DSC-120	BONDED WASHER 3/4" BSPP	3
17	DSC-567	ADAPTER R3/4" - JIC8	1
18	DSC-001564	ADAPTER 1/4"BSPPM - 1/4"NPTF	1
19	TIA-5165	SAFETY VALVE 1/4" 165 PSI	1
20	DSC-158	PNEUMATIC ELBOW 1/4"BSPP X 6MM	1
21	DSC-427	BONDED WASHER 3/8"	2
22	DSC-278	ADAPTER 3/8"BSPP X 1/4"BSPP	2
23	DSC-377	PNEUMATIC ELBOW 1/4"BSPP X 8MM	1
24	DSC-382	PNEUMATIC TUBE NATURAL 6MM OD	2

ITEM NO.	PART NUMBER	DESCRIPTION	QTY.
25	DSC-002872	SOLENOID CABLE ASSEMBLY G	1
26	DSC-001237	PRESSURE TRANSDUCER CSC200300	1
27	DSC-175	PNEUMATIC STRAIGHT 1/8" X 6MM	2
28	DSC-001358	CHECK VALVE 1/8"NPT(F)	1
29	DSC-612	INLINE FILTER	1
30	DSC-002881	MANIFOLD ASSEMBLY G-SERIES II	1
31	DSC-002717	PLUG 3/8" BSPP	1



MAINTENANCE KITS		
NO.	PART NUMBER	DESCRIPTION
M1	DSC-001299	INTAKE VALVE REPAIR KIT SN >= 37162
	DSC-001234	INTAKE VALVE REPAIR KIT SN <= 37135
M2	DSC-111-1	THERMO VALVE REPAIR KIT
M3	DSC-231	MINIMUM PRESSURE VALVE REPAIR KIT
M4	DSC-001233	AIR END SHAFT SEAL KIT
---	MK-G20-30-1	4000 HOUR MAINTENANCE KIT SN >= 37162
	MK-G20-30	4000 HOUR MAINTENANCE KIT SN <= 37135

IMPORTANT NOTE: This print is the confidential property of DV SYSTEMS, INC. It is not to be used or reproduced in any manner, nor submitted to other parties for examination without the prior approval of DV SYSTEMS, INC.

REV.	DATE	REVISION DESCRIPTION	PCN NO.



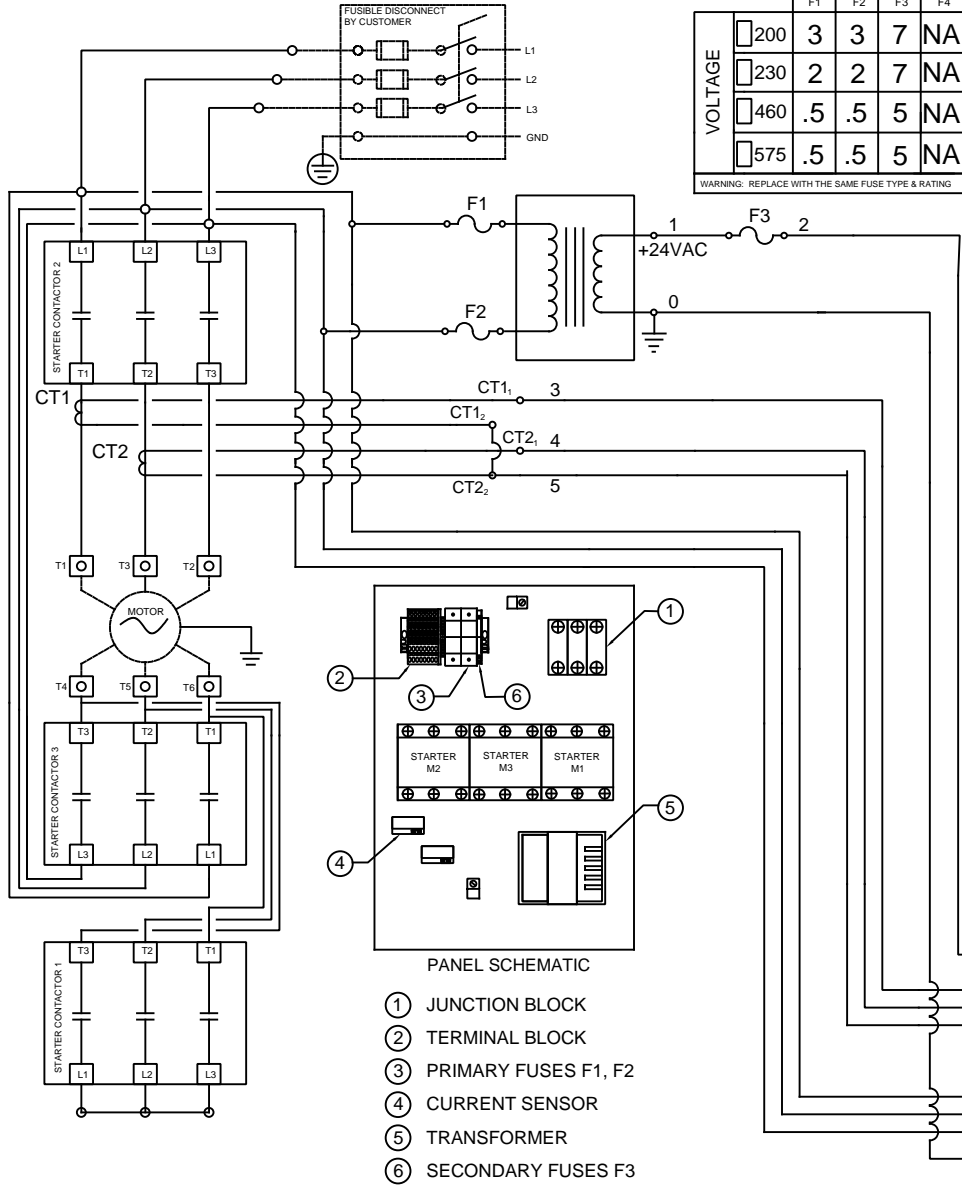
NAME OF PROJECT				DESCRIPTION OF DRAWING	
G20-30II SCREW COMPRESSOR				PNEUMATIC COMPONENTS	
DRAWN BY	CHECKED BY	DATE	SCALE	DRAWING NO.	SHT NO/REV.
LT		2/10/17	N.T.S	G20-30II	D3

POWER CIRCUIT SCHEMATIC

FUSE TABLE				
ATOR, CC		SMM		
F1	F2	F3	F4	F4
200	3	3	7	NA
230	2	2	7	NA
460	.5	.5	5	NA
575	.5	.5	5	NA

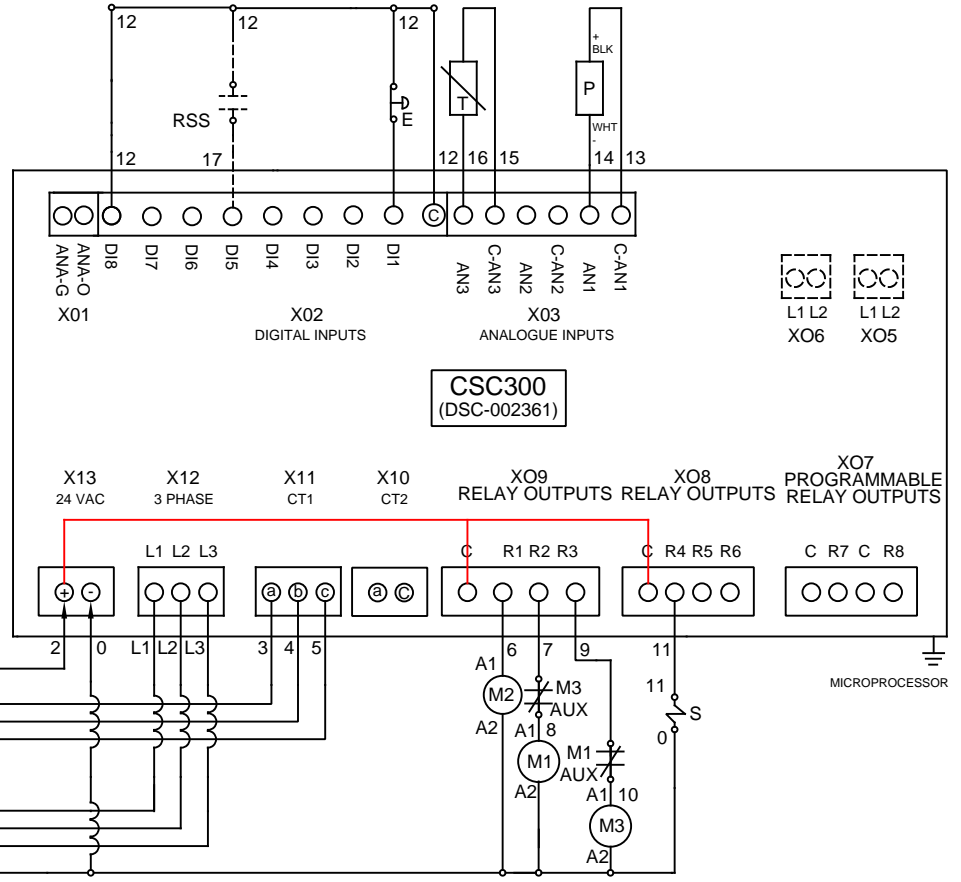
WARNING: REPLACE WITH THE SAME FUSE TYPE & RATING

REV.	DATE	REVISION DESCRIPTION	PCN NO.
D	02/15/17	DISCONNECT NOTES REMOVED	---
E	04/26/17	TRANSFORMER FUSE RATING CHANGED	---



- PANEL SCHEMATIC
- ① JUNCTION BLOCK
  - ② TERMINAL BLOCK
  - ③ PRIMARY FUSES F1, F2
  - ④ CURRENT SENSOR
  - ⑤ TRANSFORMER
  - ⑥ SECONDARY FUSES F3

- E - EMERGENCY STOP
- CT1 - CURRENT TRANSFORMER #1
- CT2 - CURRENT TRANSFORMER #2
- M1 - STARTER COIL 1
- M2 - STARTER COIL 2
- M3 - STARTER COIL 3
- P - PRESSURE TRANSDUCER
- S - SOLENOID N.O.
- T - TEMPERATURE SENSOR
- RSS - REMOTE START/STOP, N/O (FIELD OPTION: INSTALL RSS TO #17 AND #12 TERMINAL BLOCK. INSTALL WIRE FROM #17 TO DI5. ON P18 CHANGE P18.08 FROM 'OFF' TO 'DI REMOTE START'. ON P10 CHANGE P10.12 FROM 'KEYPAD' TO 'EQUIPMENT DI'.)
- X07 - R7 AND R8 FOR PROGRAMMABLE RELAY OUTPUT FUNCTION



IMPORTANT NOTE: This print is the confidential property of DV SYSTEMS, INC. It is not to be used or reproduced in any manner, nor submitted to other parties for examination without the prior approval of DV SYSTEMS, INC. DV SYSTEMS, INC. is continuously trying to improve its products, specifications subject to change without notice.

FRACTIONAL DIMENSIONS: ±1/32  
 DECIMAL DIMENSION: ±.005  
 ANGLES: ±1'  
 \*UNLESS OTHERWISE SPECIFIED



NAME OF PROJECT				DESCRIPTION OF DRAWING		
G-SERIES FIXED SPEED COMPRESSOR CSC300 CONTROLLER				ELECTRICAL SCHEMATICS WITH MICROPROCESSOR		
DRAWN BY	CHECKED BY	DATE	SCALE	DRAWING NO.	SHT NO	REV
EH		01/29/16	N.T.S.	CSC300G		E