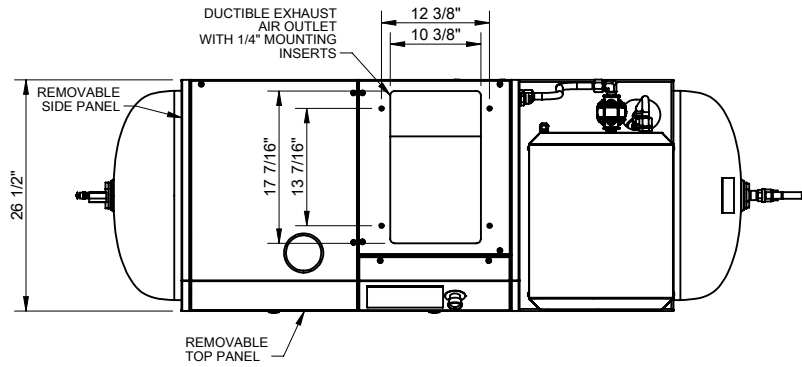
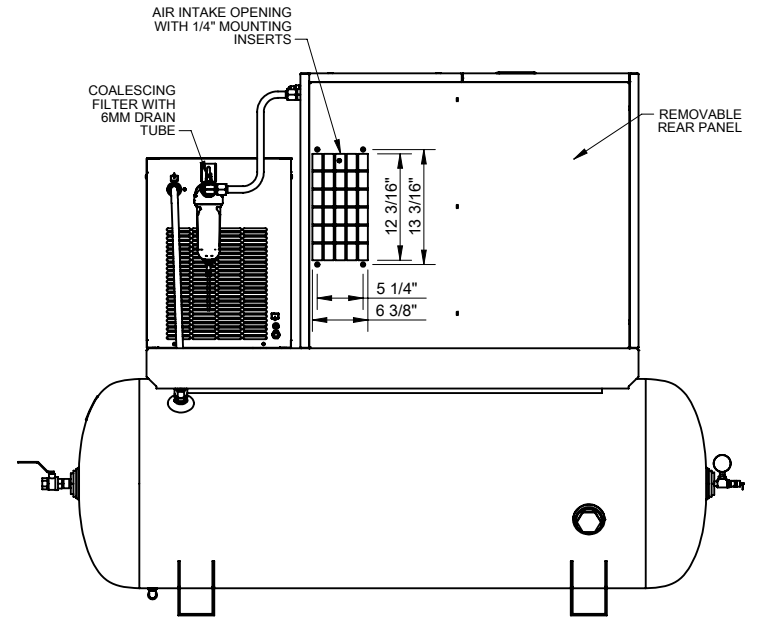
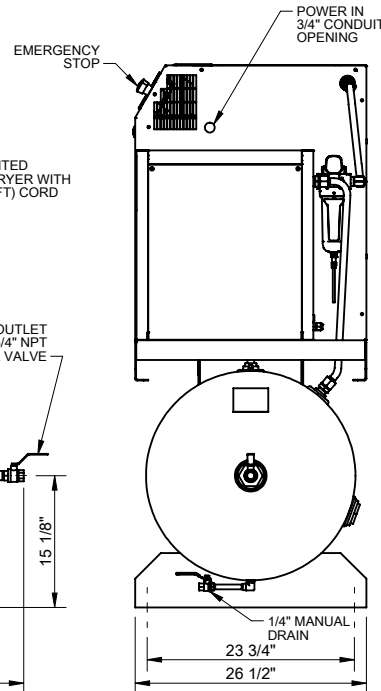
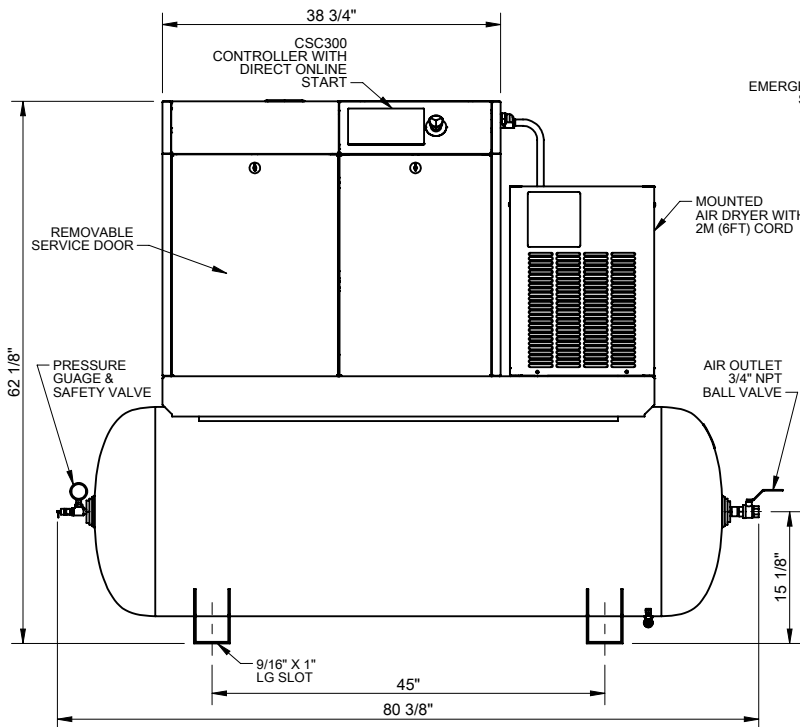
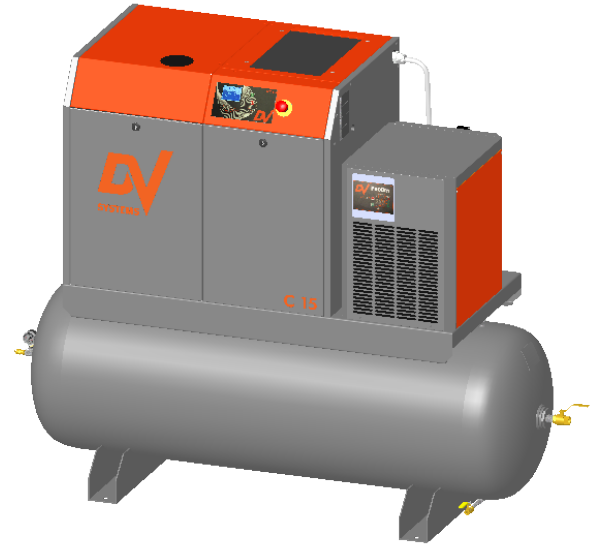


MODEL NO.	HP	PRESSURE PSI	SCFM @ 145PSI	NOMINAL SOUND @ 1 METRE	MOTOR NAMEPLATE AMP				AIR RECEIVER GAL.	DRYER	FILTER ELEMENT	WEIGHT LBS
					3-PHASE							
					200V	230V	460V	575V				
C10TD	10	125-145	39	65 dBA	29.5	25.6	12.8	10.8	120	ASD-40 115V, 60Hz, 5.24A	1 MICRON	1010
C15TD	15	125-145	57	69 dBA	38	33	16.6	13.2	120	ASD-60 115V, 60Hz, 6.96A	1 MICRON	1040



### INSTALLATION REQUIREMENTS

1. MAINTAIN 3 FEET DISTANCE FROM WALLS AND OTHER OBJECTS FOR PURPOSE OF COOLING AND SERVICING.
2. COMPRESSOR MUST BE LEVEL AND ANCHORED DOWN TO SOLID LEVEL FLOOR.
3. AMBIENT CONDITIONS:  
10°C (50°F) MIN. 40°C (104°F) MAX.
4. APPROACH TEMP. FROM TANK 5°C (41°F)



IMPORTANT NOTE: This print is the confidential property of DV SYSTEMS, INC. It is not to be used or reproduced in any manner, nor submitted to other parties for examination without the prior approval of DV SYSTEMS, INC. DV SYSTEMS, INC. is continually trying to improve its products, specifications subject to change without notice.



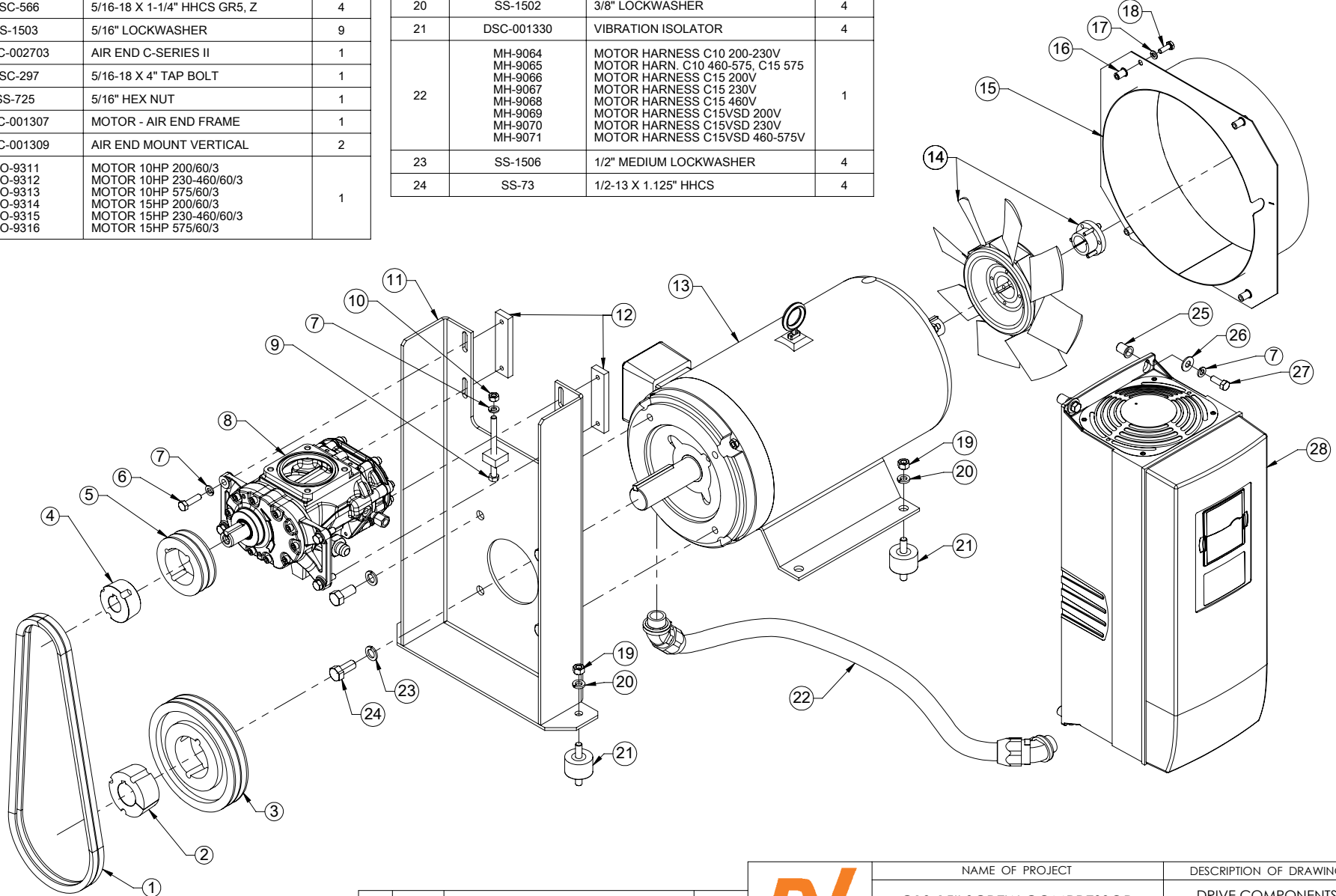
NAME OF PROJECT				DESCRIPTION OF DRAWING	
C10-15TD SCREW COMPRESSOR WITH DRYER				SALES-ENGINEERING DRAWING	
DRAWN BY	CHECKED BY	DATE	SCALE	DRAWING NO.	SHT NO/REV.
LT		1/04/16	N.T.S	C10IITD-120 C15IITD-120	

ITEM NO.	PART NUMBER	DESCRIPTION	QTY.
1	DSC-446 DSC-429	C10 BELT C15 BELT	2
2	DSC-613	MOTOR BUSHING	1
3	PU-9237 PU-9238	C10 MOTOR PULLEY C15 MOTOR PULLEY	1
4	DSC-002705	AIR END BUSHING	1
5	PU-9277	AIR END PULLEY	1
6	DSC-566	5/16-18 X 1-1/4" HHCS GR5, Z	4
7	SS-1503	5/16" LOCKWASHER	9
8	DSC-002703	AIR END C-SERIES II	1
9	DSC-297	5/16-18 X 4" TAP BOLT	1
10	SS-725	5/16" HEX NUT	1
11	DSC-001307	MOTOR - AIR END FRAME	1
12	DSC-001309	AIR END MOUNT VERTICAL	2
13	MO-9311 MO-9312 MO-9313 MO-9314 MO-9315 MO-9316	MOTOR 10HP 200/60/3 MOTOR 10HP 230-460/60/3 MOTOR 10HP 575/60/3 MOTOR 15HP 200/60/3 MOTOR 15HP 230-460/60/3 MOTOR 15HP 575/60/3	1

ITEM NO.	PART NUMBER	DESCRIPTION	QTY.
14	DSC-001331	FAN & BUSHING ASSEMBLY	1
15	DSC-002711	C10-15II FAN SHROUD	1
16	SS-02001	1/4-20 THREADED INSERT	4
17	SS-1505	1/4" MEDIUM LOCKWASHER	4
18	DSC-597	1/4-20 X 0.75" HHCS	4
19	SS-657	3/8-16 HEX NUT	4
20	SS-1502	3/8" LOCKWASHER	4
21	DSC-001330	VIBRATION ISOLATOR	4
22	MH-9064 MH-9065 MH-9066 MH-9067 MH-9068 MH-9069 MH-9070 MH-9071	MOTOR HARNESS C10 200-230V MOTOR HARN. C10 460-575, C15 575 MOTOR HARNESS C15 200V MOTOR HARNESS C15 230V MOTOR HARNESS C15 460V MOTOR HARNESS C15VSD 200V MOTOR HARNESS C15VSD 230V MOTOR HARNESS C15VSD 460-575V	1
23	SS-1506	1/2" MEDIUM LOCKWASHER	4
24	SS-73	1/2-13 X 1.125" HHCS	4

ITEM NO.	PART NUMBER	DESCRIPTION	QTY.
25	SS-02002 SS-02001	5/16-18 THREADED INSERT (FR6) 1/4-20 THREADED INSERT (FR5)	4
26	SS-1524	5/16" FLAT WASHER (FR6) 1/4" FLAT WASHER (FR5)	4
27	SS-13	5/16-18 X 7/8" HHCS (FR6) 1/4-20 X 3/4" HHCS (FR5)	4
28	DSC-002610 DSC-002706 DSC-002707 DSC-002708	INVERTER C15 200V INVERTER C15 230V INVERTER C15 460V INVERTER C15 575V	1

\*ITEMS 25-28 FOR VSD UNITS ONLY



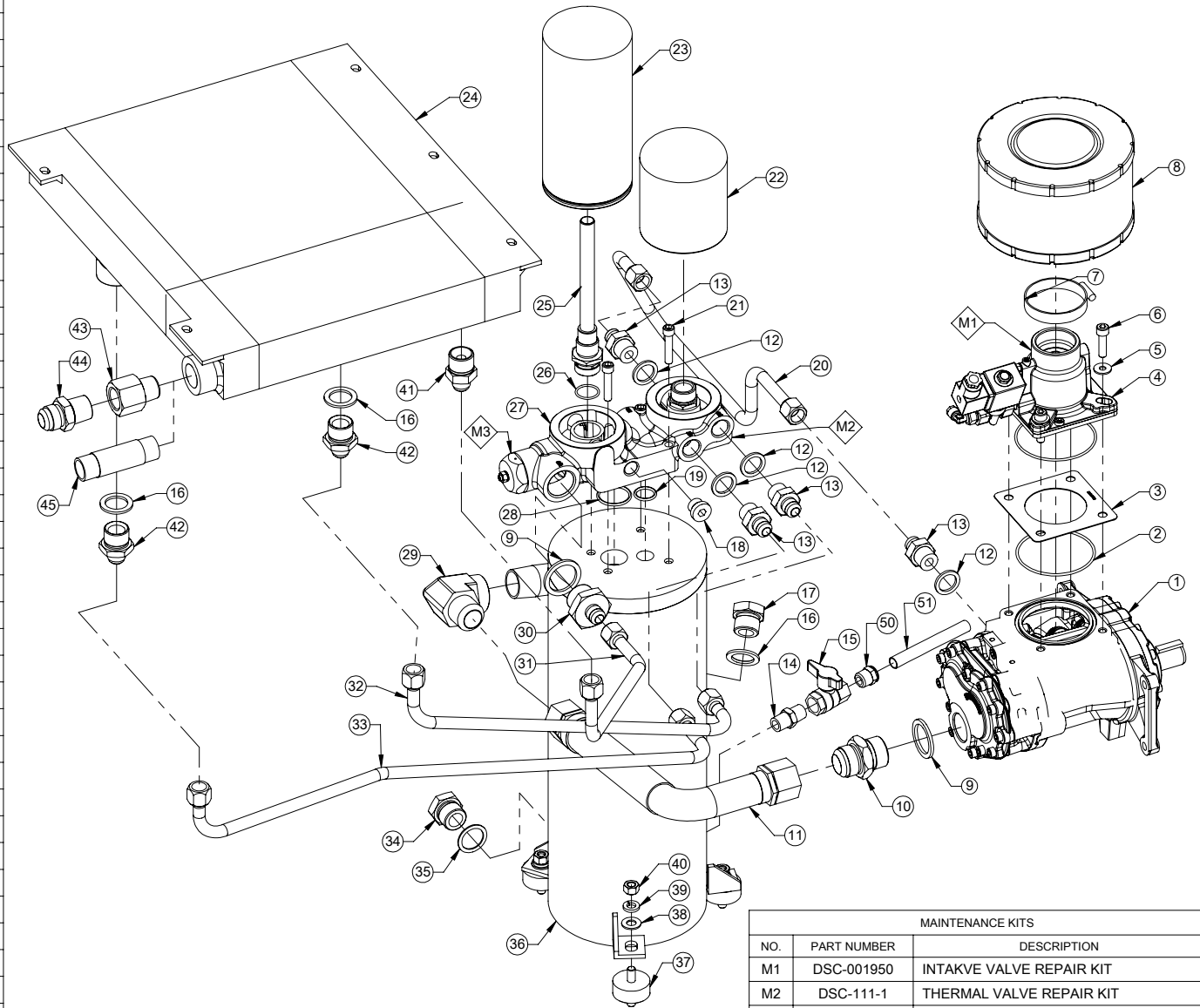
IMPORTANT NOTE: This print is the confidential property of DV SYSTEMS, INC. It is not to be used or reproduced in any manner, nor submitted to other parties for examination without the prior approval of DV SYSTEMS, INC.

REV.	DATE	REVISION DESCRIPTION	PCN NO.



NAME OF PROJECT				DESCRIPTION OF DRAWING	
C10-15II SCREW COMPRESSOR				DRIVE COMPONENTS	
DRAWN BY	CHECKED BY	DATE	SCALE	DRAWING NO.	SHT NO/REV.
LT		4/15/15	N.T.S	C10II C15II	D1

NO.	PART NUMBER	DESCRIPTION	QTY.	NO.	PART NUMBER	DESCRIPTION	QTY.
1	DSC-002703	AIR END C-SERIES II	1	50	DD-00091	3/8"NPT X 1/2"DIA PNEU. FITTING	1
2	DSC-365	C-SERIES AE O-RING	1	51	R-8504	PE TUBING 1/2" OD	1
3	DSC-001952	C-SERIES INTAKE VALVE PLATE	1				
4	DSC-001930	C-SERIES INTAKE VALVE	1				
5	SS-1523	1/4" FLAT WASHER	4				
6	SS-10036	M8 X 30MM SHCS	4				
7	DSC-001932	INTAKE FILTER CLAMP	1				
8	DSC-001931	C-SERIES AIR FILTER	1				
9	DSC-386	BONDED WASHER R1"	2				
10	DSC-575	ADAPTER R1" - JIC 16	1				
11	DSC-002639	C-SERIES FLEXI-HOSE	1				
12	DSC-200	BONDED WASHER 1/2" BSPP	4				
13	DSC-001214	ADAPTER 1/2"BSPP - JIC 8	4				
14	DSC-002826	ADAPTER 3/8"NPT(M) - 3/8"NPT(M)	1				
15	DSC-002828	BALL VALVE 3/8" NPTF X 3/8" NPTF	1				
16	DSC-120	BONDED WASHER 3/4" BSPP	3				
17	DSC-618	OIL FILL PLUG 3/4" BSPP	1				
18	DSC-002717	PLUG 3/8" BSPM	1				
19	DSC-002724	O-RING C-SERIES THERMOVALVE INLET	1				
20	DSC-002640	1/2" STEEL TUBE OIL TO AIR END	1				
21	SS-01919	5/16-18 X 1-1/2 SHCS	4				
22	DSC-603	OIL FILTER	1				
23	DSC-302	AIR/OIL SEPARATOR FILTER	1				
24	DSC-001449	HEAT EXCHANGER	1				
25	DSC-325	SEPARATOR TUBE	1				
26	DSC-324	SEPARATOR TUBE O-RING	1				
27	DSC-002704	MANIFOLD ASSEMBLY C10-15II	1				
28	DSC-002726	O-RING C-SERIES A/O INLET	1				
29	DSC-001269	ELBOW 1"NPT(F) - JIC 16(M)	1				
30	DSC-002709	ADAPTER 1"BSPP(M) - JIC 8(M)	1				
31	DSC-002651	1/2 STEEL TUBE AIR OUT	1				
32	DSC-002653	1/2 STEEL TUBE OIL FROM COOLER	1				
33	DSC-002652	1/2 STEEL TUBE OIL TO COOLER	1				
34	DSC-001907	OIL SIGHT GLASS 3/4" BSPP	1				
35	DSC-002259	COPPER WASHER 3/4"BSPP WD	1				
36	DSC-001397-2	C-SERIES AIR OIL RECEIVER	1				
37	DSC-002050	ISOLATOR C-SERIES A/O TANK	3				
38	SS-1525	3/8" FLAT WASHER	3				
39	SS-1502	3/8" LOCKWASHER	3				
40	SS-657	3/8-16 HEX NUT	3				
41	DSC-572	ADAPTER 3/4"NPTM - JIC8	2				
42	DSC-567	ADAPTER R3/4" - JIC8	2				
43	DSC-001616	ADAPTER 3/4"NPTM - 3/4"NPTF	1				
44	DSC-237 DSC-572	ADAPTER C15TD, C10-15T LESS-DRYER ADAPTER C10TD	1				
45	SS-2118	3/4"NPT X 3-1/2 GALV NIPPLE (BASE-MTD ONLY)	1				



MAINTENANCE KITS		
NO.	PART NUMBER	DESCRIPTION
M1	DSC-001950	INTAKVE VALVE REPAIR KIT
M2	DSC-111-1	THERMAL VALVE REPAIR KIT
M3	DSC-410	MINIMUM PRESSURE VALVE REPAIR KIT
---	MK-C7-15-1	4000HR MAINTENANCE KIT

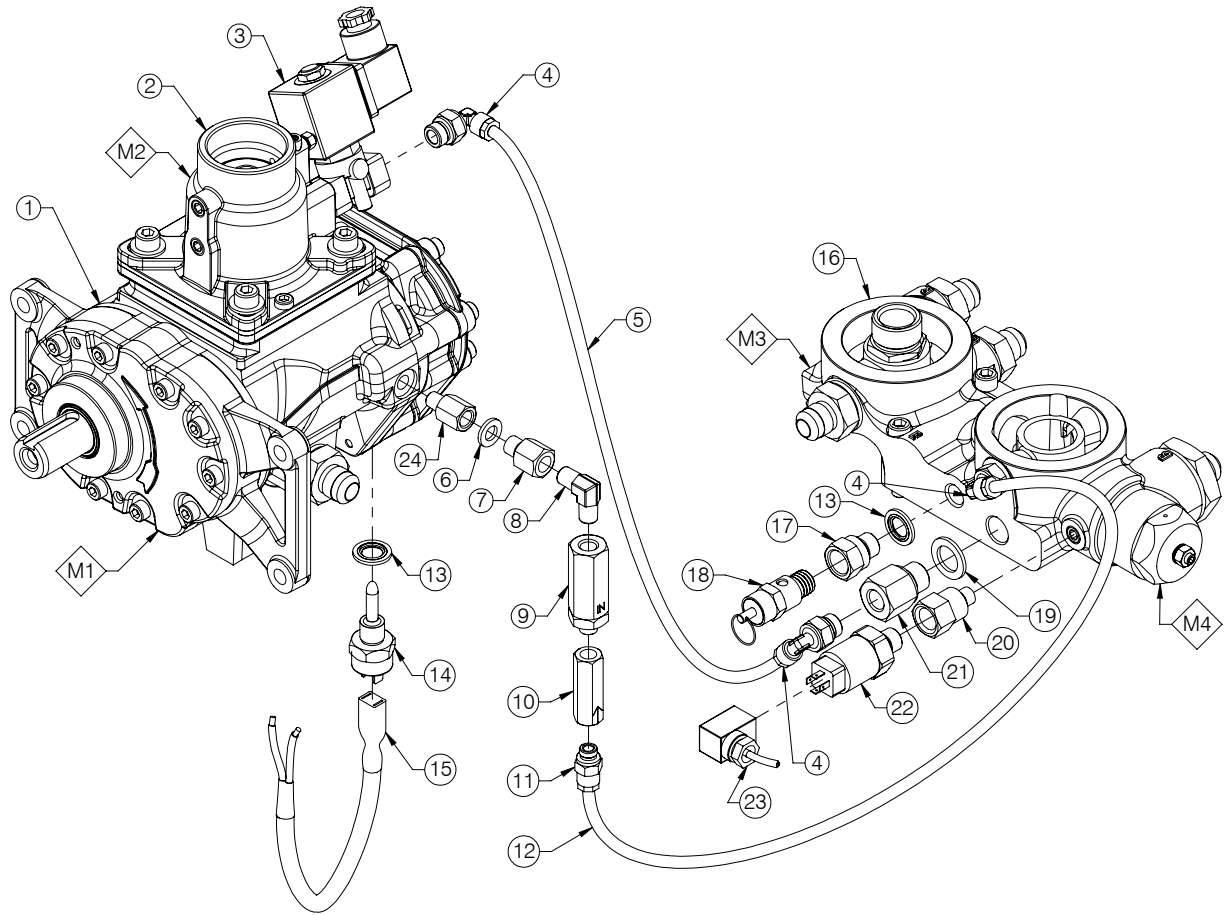
IMPORTANT NOTE: This print is the confidential property of DV SYSTEMS, INC. It is not to be used or reproduced in any manner, nor submitted to other parties for examination without the prior approval of DV SYSTEMS, INC.

REV.	DATE	REVISION DESCRIPTION	PCN NO.
A	7/09/15	OIL DRAIN ASSEMBLY CHANGED	15-05



NAME OF PROJECT				DESCRIPTION OF DRAWING			
C10-15II SCREW COMPRESSOR				SYSTEM COMPONENTS			
DRAWN BY	CHECKED BY	DATE	SCALE	DRAWING NO.	SHT NO	REV.	
LT		4/27/15	N.T.S	C10II C15II	D2	A	

ITEM NO.	PART NUMBER	DESCRIPTION	QTY.
1	DSC-002703	AIR END C-SERIES II	1
2	DSC-001930	C-SERIES INTAKE VALVE	1
3	DSC-001951	C-SERIES SOLENOID VALVE	1
4	DSC-158	1/4"BSPP ELBOW X 6MM TUBE FITTING	3
5	DSC-482	PNEUMATIC TUBE BLACK 6MM OD	2
6	DSC-263	1/8" BONDED WASHER	1
7	DSC-677	ORIFICE 1MM	1
8	DSC-001359	ELBOW 1/8"NPT(M) - 1/8"NPT(F)	1
9	DSC-612	INLINE FILTER	1
10	DSC-001358	CHECK VALVE 1/8"NPT(F)	1
11	DSC-175	PNEUMATIC FITTING STRAIGHT 1/8" X 6MM	1
12	DSC-382	PNEUMATIC TUBE NATURAL 6MM OD	2
13	DSC-001217	BONDED WASHER 1/4" BSPP	2
14	DSC-001238	TEMPERATURE SENSOR CSC200300	1
15	DSC-001360	TEMPERATURE PROBE CABLE CSC200300	1
16	DSC-002704	MANIFOLD ASSEMBLY C10-15II	1
17	DSC-001564	ADAPTER 1/4"BSPPM - 1/4"NPTF	1
18	TIA-5165	SAFETY VALVE 1/4" 165 PSI	1
19	DSC-427	BONDED WASHER 3/8"	1
20	DSC-001568	ADAPTER 1/8"BSPPM - 1/4"BSPPF	1
21	DSC-278	ADAPTER 3/8" BSPPM X 1/4" BSPF	1
22	DSC-001237	PRESSURE TRANSDUCER CSC200300	1
23	DSC-001366	PRESS. TRANSD. CABLE CSC200300	0.5'
24	DSC-002714	ADAPTER 1/8"BSPT(M) - 1/8"BSPP(F)	1
MAINTENANCE KITS			
M1	DSC-002718	SHAFT SEAL KIT	
M2	DSC-001950	INTAKE VALVE REPAIR KIT	
M3	DSC-111-1	THERMAL VALVE REPAIR KIT	
M4	DSC-410	MINIMUM PRESSURE VALVE REPAIR KIT	



IMPORTANT NOTE: This print is the confidential property of DV SYSTEMS, INC. It is not to be used or reproduced in any manner, nor submitted to other parties for examination without the prior approval of DV SYSTEMS, INC.

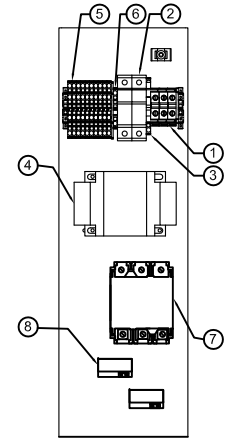
REV.	DATE	REVISION DESCRIPTION	PCN NO.



NAME OF PROJECT				DESCRIPTION OF DRAWING	
C10-15II SCREW COMPRESSOR				PNEUMATIC COMPONENTS	
DRAWN BY	CHECKED BY	DATE	SCALE	DRAWING NO.	SHT NO/REV.
LT		4/01/15	N.T.S	C10II C15II	D3

REV.	DATE	REVISION DESCRIPTION	PCN NO.
	05/15/15	SEQUENCING WIRINGS ADDED	-

PANEL SCHEMATIC



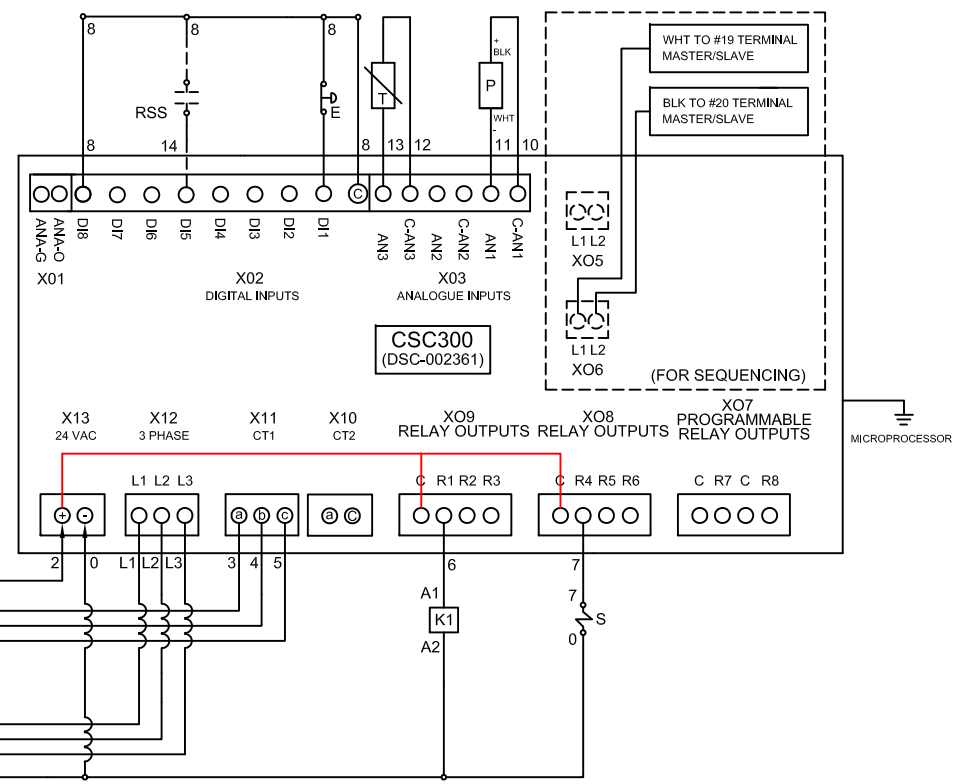
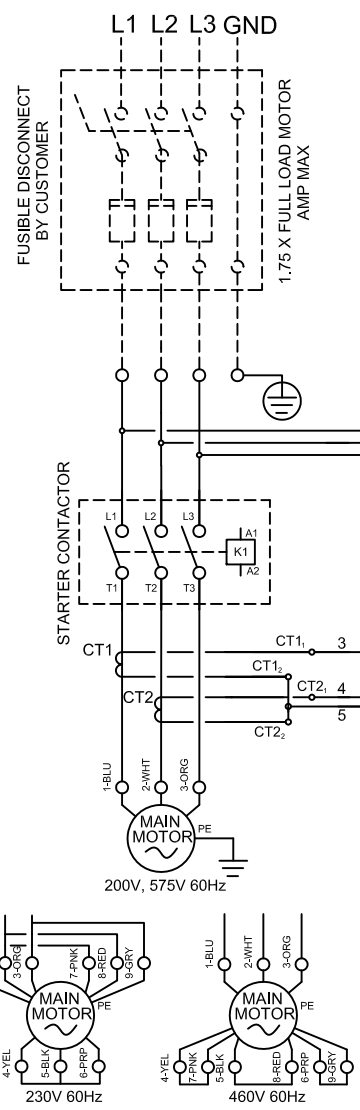
- ① POWER BLOCK
- ② PRIMARY FUSE F1 / F2
- ③ SECONDARY FUSE F3
- ④ TRANSFORMER
- ⑤ TERMINAL BLOCKS
- ⑥ GROUND TERMINAL
- ⑦ MOTOR STARTER
- ⑧ CURRENT TRANSFORMER

VOLTAGE	FUSE SIZE (AMPS)		
	CC TIME DELAY		
	F1	F2	F3
200	1.0	1.0	5
230	1.0	1.0	5
460	.5	.5	5
575	.5	.5	5

WARNING: USE THE SAME FUSE TYPE & RATING

- CT1 - CURRENT TRANSFORMER #1
  - CT2 - CURRENT TRANSFORMER #2
  - E - EMERGENCY STOP
  - K1 - MOTOR STARTER
  - P - PRESSURE TRANSDUCER
  - S - SOLENOID N.C.
  - T - TEMPERATURE SENSOR
  - RSS - REMOTE START/STOP, N/O
- (FIELD OPTION:  
INSTALL RSS TO #14 AND #8  
TERMINAL BLOCK. INSTALL WIRE  
FROM #14 TO DI5. ON P18 CHANGE  
P18.08 FROM 'OFF' TO 'DI REMOTE  
START'. ON P10 CHANGE P10.12  
FROM 'KEYPAD' TO 'EQUIPMENT  
DI'.)
- X07 - R7 AND R8 FOR PROGRAMMABLE  
RELAY OUPUT FUNCTION

POWER CIRCUIT SCHEMATIC



IMPORTANT NOTE: This print is the confidential property of DV SYSTEMS, INC. It is not to be used or reproduced in any manner, nor submitted to other parties for examination without the prior approval of DV SYSTEMS, INC. DV SYSTEMS, INC. is continuously trying to improve its products, specifications subject to change without notice.

FRACTIONAL DIMENSIONS: ±1/32  
DECIMAL DIMENSION: ±.005  
ANGLES: ±1°  
\*UNLESS OTHERWISE SPECIFIED



NAME OF PROJECT				DESCRIPTION OF DRAWING	
C-SERIES SCREW COMPRESSOR CSC300 CONTROLLER				ELECTRICAL SCHEMATICS CSC300	
DRAWN BY	CHECKED BY	DATE	SCALE	DRAWING NO.	SHT NO/REV
E.H		04/02/15	N.T.S.	CSC300-CII	A