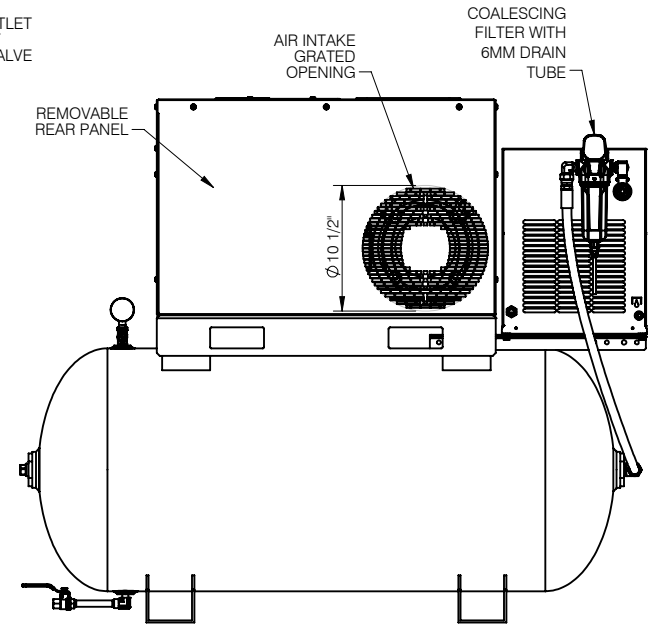
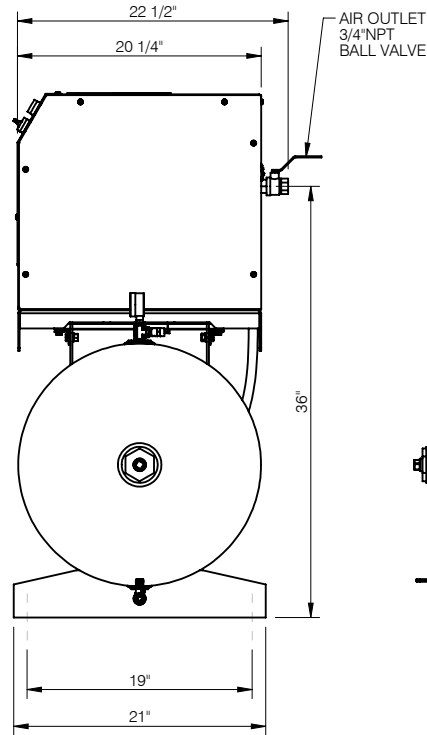
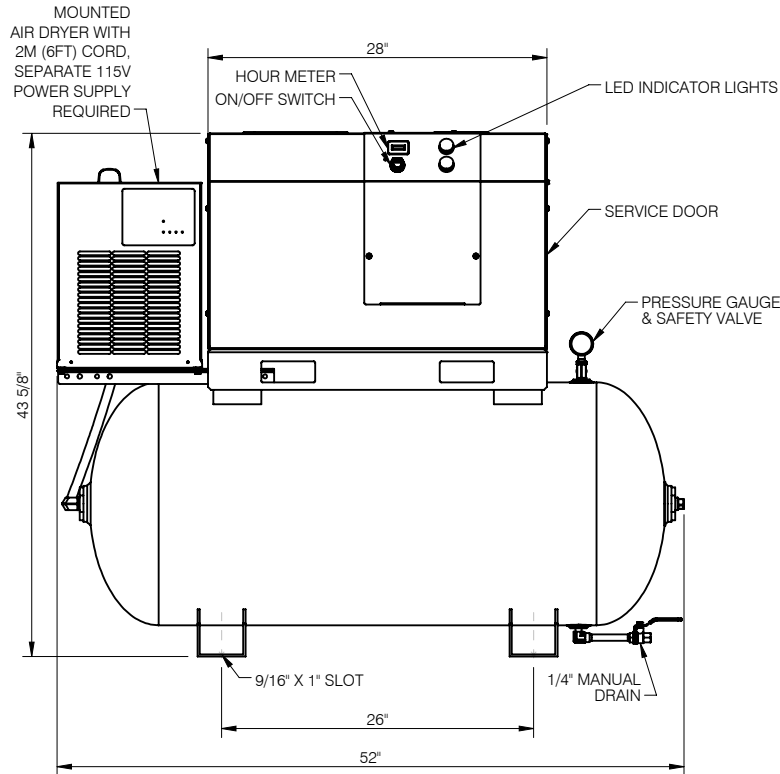
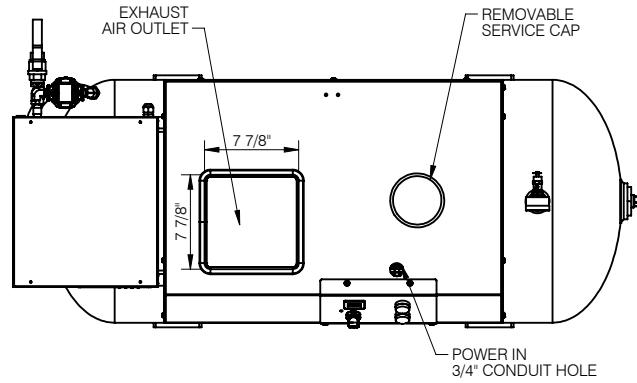


MODEL NO.	PRODUCT NO.	HP	PRESSURE PSI	SCFM	MOTOR RPM	NOMINAL SOUND @ 1 METRE	MOTOR NAMEPLATE AMP	AIR RECEIVER GAL.	DRYER	FILTER ELEMENT	WEIGHT LBS
							230V/1/60				
A5TD	S-002520	5	110-145	16	1740	65 dBA	23	60	ASD-15 115V, 60Hz, 2.2A	1 MICRON	550



### INSTALLATION REQUIREMENTS

1. MAINTAIN 3 FEET DISTANCE FROM WALLS AND OTHER OBJECTS FOR PURPOSE OF COOLING AND SERVICING.
2. COMPRESSOR MUST BE LEVEL AND ANCHORED DOWN TO SOLID LEVEL FLOOR.
3. AMBIENT CONDITIONS:  
10°C (50°F) MIN. 40°C (104°F) MAX.
4. APPROACH TEMP. FROM TANK 5°C (10°F)



IMPORTANT NOTE: This print is the confidential property of DV SYSTEMS, INC. It is not to be used or reproduced in any manner, nor submitted to other parties for examination without the prior approval of DV SYSTEMS, INC. DV SYSTEMS, INC. is continually trying to improve its products, specifications subject to change without notice.

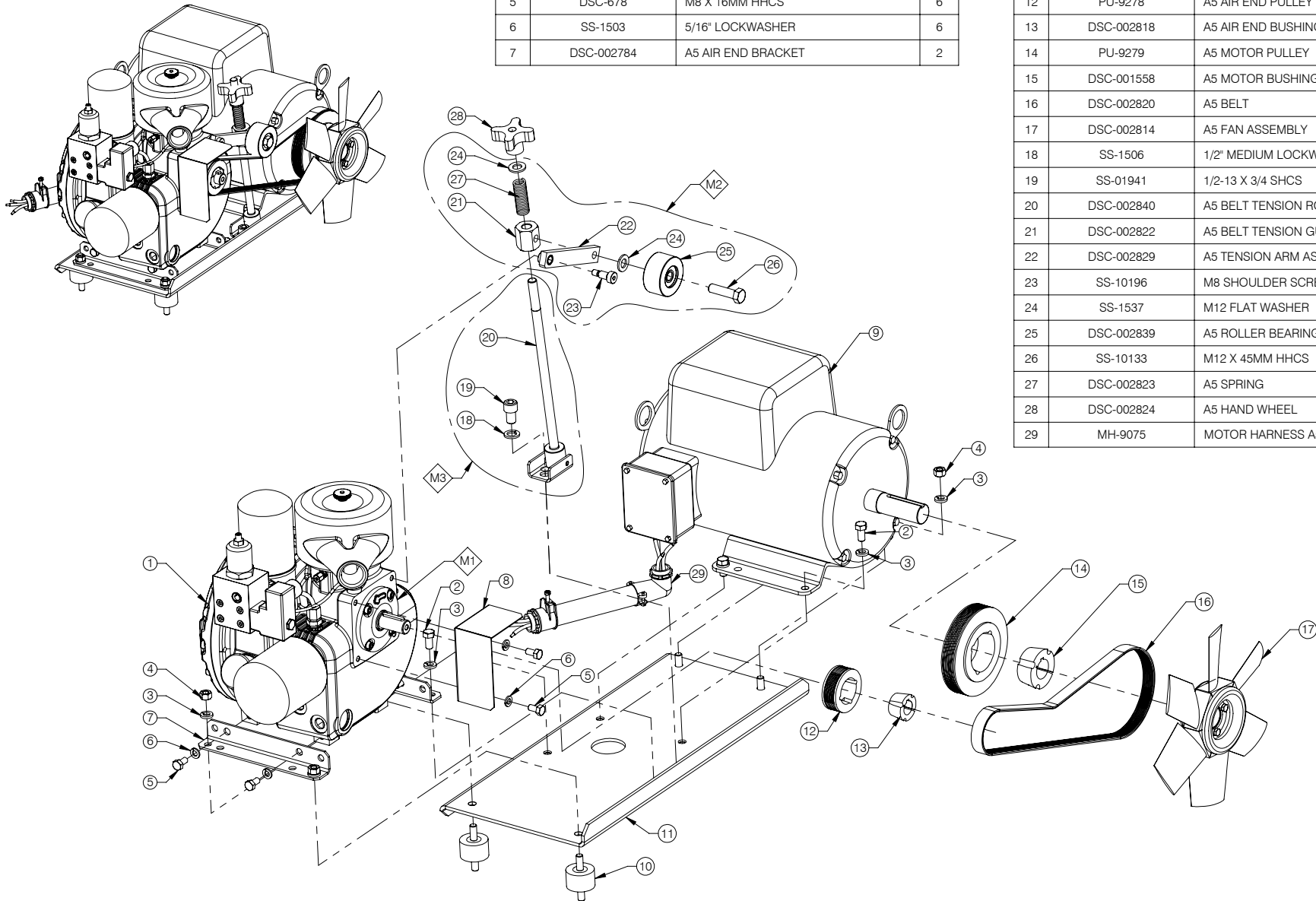


NAME OF PROJECT				DESCRIPTION OF DRAWING	
A5 SCREW COMPRESSOR				SALES-ENGINEERING DRAWING	
DRAWN BY	CHECKED BY	DATE	SCALE	DRAWING NO.	SHT NO/REV.
LT		10/20/16	N.T.S	A5TD	

MAINTENANCE KIT		
M1	DSC-002835	A5 SHAFT SEAL KIT
M2	DSC-002878	A5 BELT TENSION IDLER KIT
M3	DSC-002879	A5 BELT TENSION ROD KIT

NO.	PART NUMBER	DESCRIPTION	QTY.
1	DSC-002813	A5 AIR END - 230V COIL	1
2	SS-23	3/8-16 X 3/4 HHCS B/M	4
3	SS-1502	3/8" LOCKWASHER	8
4	SS-657	3/8-16 HEX NUT	4
5	DSC-678	M8 X 16MM HHCS	6
6	SS-1503	5/16" LOCKWASHER	6
7	DSC-002784	A5 AIR END BRACKET	2

NO.	PART NUMBER	DESCRIPTION	QTY.
8	DSC-002791	A5 FINGER GUARD	1
9	MO-9025	MOTOR 5HP 230/60/1	1
10	DSC-001330	VIBRATION ISOLATOR	4
11	DSC-002790	A5 SUB-BASE ASSEMBLY	1
12	PU-9278	A5 AIR END PULLEY	1
13	DSC-002818	A5 AIR END BUSHING	1
14	PU-9279	A5 MOTOR PULLEY	1
15	DSC-001558	A5 MOTOR BUSHING	1
16	DSC-002820	A5 BELT	1
17	DSC-002814	A5 FAN ASSEMBLY	1
18	SS-1506	1/2" MEDIUM LOCKWASHER	1
19	SS-01941	1/2-13 X 3/4 SHCS	1
20	DSC-002840	A5 BELT TENSION ROD ASSEMBLY	1
21	DSC-002822	A5 BELT TENSION GUIDE	1
22	DSC-002829	A5 TENSION ARM ASSEMBLY	1
23	SS-10196	M8 SHOULDER SCREW 10X16MM	1
24	SS-1537	M12 FLAT WASHER	2
25	DSC-002839	A5 ROLLER BEARING ASSEMBLY	1
26	SS-10133	M12 X 45MM HHCS	1
27	DSC-002823	A5 SPRING	1
28	DSC-002824	A5 HAND WHEEL	1
29	MH-9075	MOTOR HARNESS A5. 230/1	1

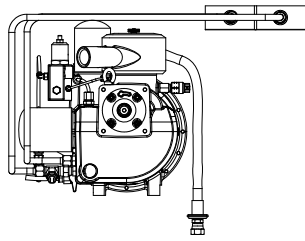
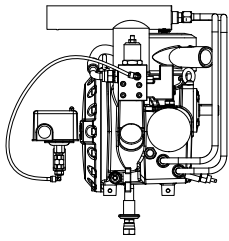


C	8/10/16	BELT TENSION KITS ADDED	16-15
B	6/15/16	TENSION ASSEMBLY P/NS UPDATED	16-13
A	10/06/15	DSC-002840 SS-01941 ADDED SN.081465 & ABOVE	15-12
	8/12/15	NEW PRODUCT	14-37
REV.	DATE	REVISION DESCRIPTION	PCN NO.

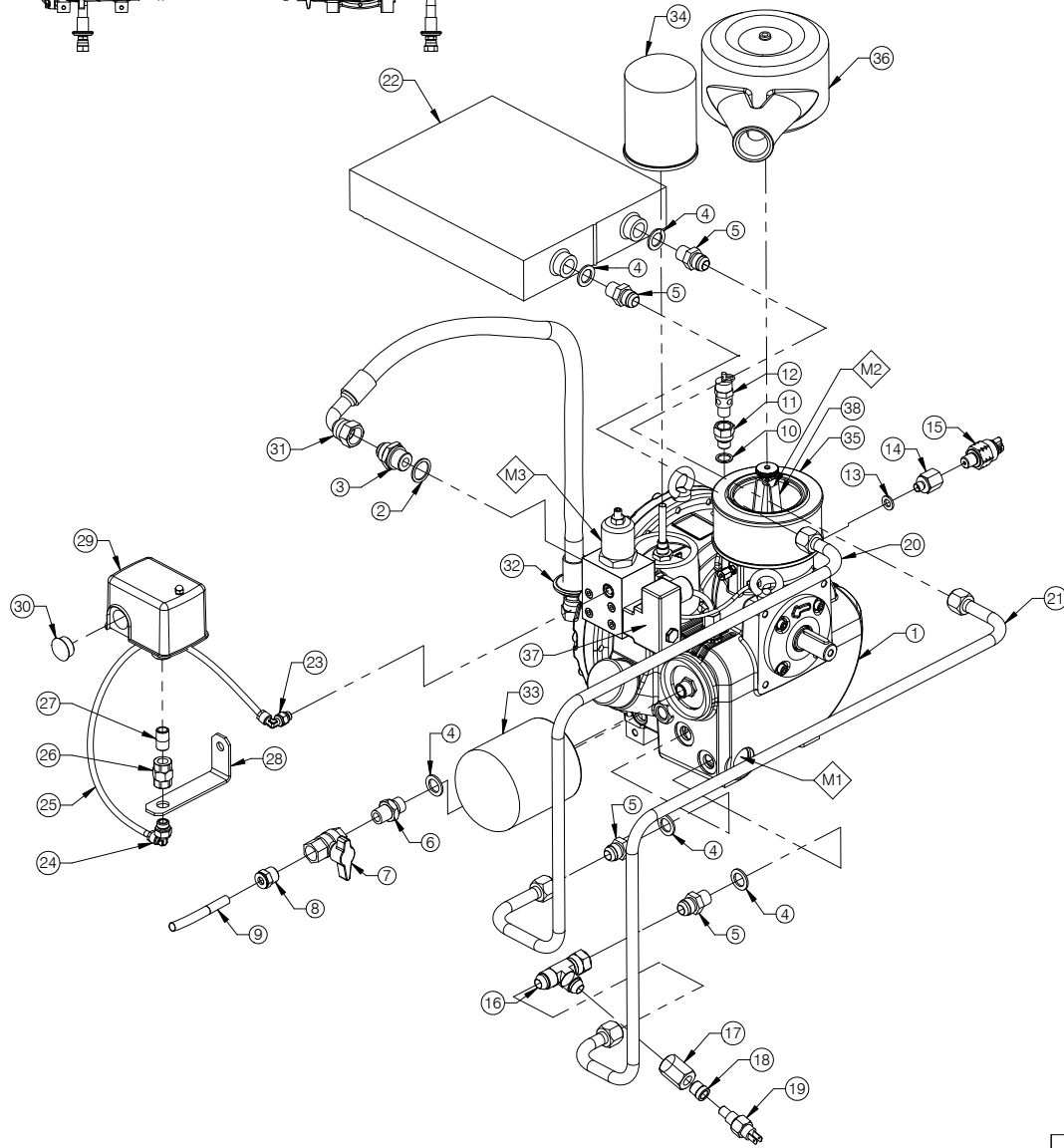


NAME OF PROJECT				DESCRIPTION OF DRAWING	
A5 SCREW COMPRESSOR				DRIVE COMPONENTS	
				DRAWING NO.	SHT NO/REV.
EH		9/04/15	N.T.S	A5	C

IMPORTANT NOTE: This print is the confidential property of DV SYSTEMS, INC. It is not to be used or reproduced in any manner, nor submitted to other parties for examination without the prior approval of DV SYSTEMS, INC.



MAINTENANCE KITS		
NO	PART NUMBER	DESCRIPTION
M1	DSC-002057	THERMO VALVE REPAIR KIT
M2	DSC-001712	INTAKE VALVE REPAIR KIT
M3	DSC-001713	MINIMUM PRESSURE VALVE REPAIR KIT
---	MK-A5	4000 HR / 1 YR MAINTENANCE KIT



NO.	PART NUMBER	DESCRIPTION	QTY.
1	DSC-002813	A5 AIR END - 230V COIL	1
2	DSC-002219	COPPER WASHER 1/2"BSPP	1
3	DSC-002220	ADAPTER-SH 1/2"BSPP - JIC 8	1
4	DSC-427	BONDED WASHER 3/8"	5
5	DSC-001563	ADAPTER 3/8"BSPPM - JIC8	4
6	DSC-002825	ADAPTER 3/8"BSPP(M) - 3/8"NPT(M)	1
7	DSC-002828	BALL VALVE 3/8" NPTF X 3/8" NPTF	1
8	DD-00091	3/8"NPT X 1/2"DIA PNEU. FITTING	1
9	R8504	PE TUBING 1/2" OD	1.5'
10	DSC-001968	COPPER SEALING RING 1/4"BSPP	1
11	DSC-001564	ADAPTER 1/4"BSPPM - 1/4"NPTF	1
12	TIA-5165	SAFETY VALVE 165PSI	1
13	DSC-263	1/8" BONDED WASHER	1
14	DSC-001659	ADAPTER 1/8"BSPPM - 1/4"NPTF	1
15	DSC-102	ANTI-ROTATION PRESSURE SWITCH	1
16	DSC-002833	RUN TEE JIC-8(M) X JIC-8(F) X JIC-8(M)	1
17	DSC-002834	ADAPTER A5 TEMP PROBE	1
18	DSC-001217	BONDED WASHER 1/4" BSPP	1
19	DSC-002801	TEMPERATURE SWITCH, 1/4 BSPP, NC, 240VAC	1
20	DSC-002803	1/2 STEEL TUBE A5 OIL FROM COOLER	1
21	DSC-002802	1/2 STEEL TUBE A5 OIL TO COOLER	1
22	DSC-002815	A5 HEAT EXCHANGER	1
23	DSC-185	PNEUMATIC ELBOW 1/8"BSPP X 6MM	1
24	DSC-444	1/4"NPT ELBOW X 6MM TUBE FITTING	1
25	DSC-482	PNEUMATIC TUBE, 6MM OD, BLACK	1
26	DSC-268	COUPLING 1/4"NPT FEMALE	1
27	SS-1286	1/4" CLOSE NIPPLE - BRASS	1
28	DSC-002792-1	A5 PRESSURE SWITCH BRACKET	1
29	SSS-9003-115150	PRESSURE SWITCH 115-150PSI	1
30	SS-01872	7/8" DIA HOLE PLUG	1
31	DSC-001561	HOSE A, B,C-SERIES 26" STR-90	1
32	DSC-002836	1-1/2" DIA X 3/32" TH DIAPHRAM GROMMET	1
33	DSC-603	OIL FILTER	1
34	DSC-002832	AIR/OIL SEP. FILTER A-SERIES	1
35	DSC-001569	A5, B5-10 AIR FILTER	1
36	DSC-002463	AIR FILTER HOUSING B-SERIES	1
37	DSC-002885 DSC-002957	SOLENOID ASSY W/ CABLE A5-V1 (UP TO AE SN SC272839) SOLENOID ASSY W/ CABLE A5-V2 (ABOVE AE SN SC272839)	1
38	DSC-001572	AB-SERIES INTAKE VALVE	1

IMPORTANT NOTE: This print is the confidential property of DV SYSTEMS, INC. It is not to be used or reproduced in any manner, nor submitted to other parties for examination without the prior approval of DV SYSTEMS, INC.

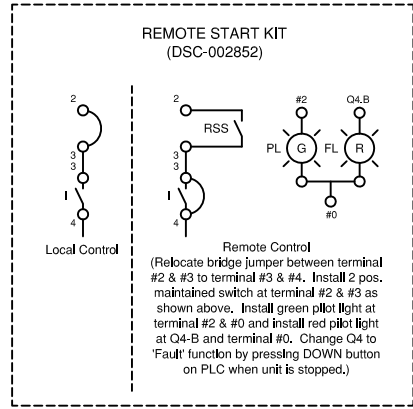
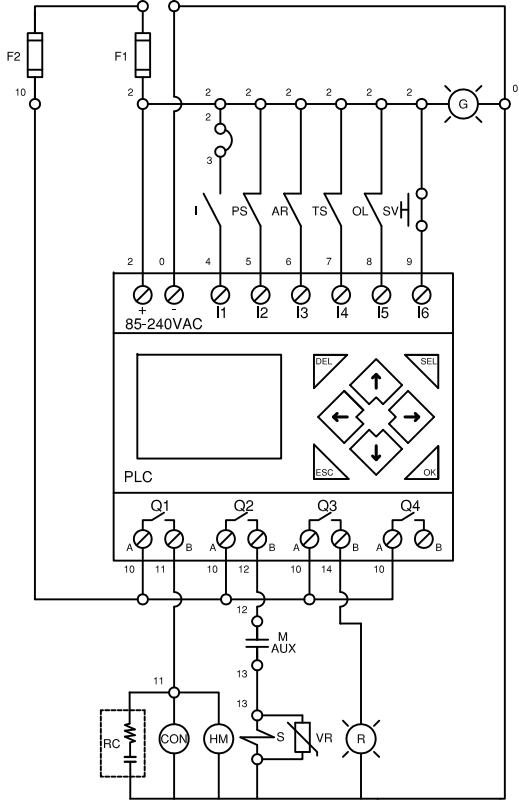
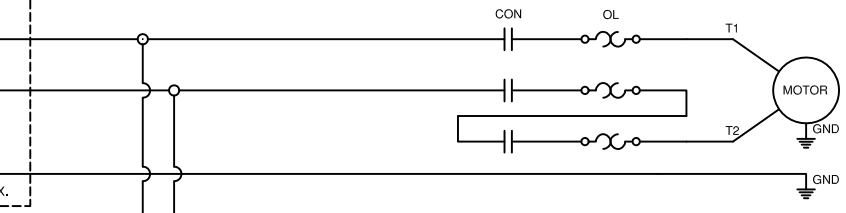
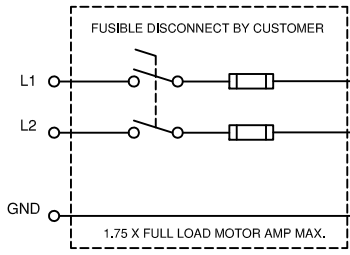
REV.	DATE	REVISION DESCRIPTION	PCN NO.
B	3/21/17	SOLENOID PART NUMBER ADDED	
A	5/10/16	SOLENOID PART NUMBER CHANGED	



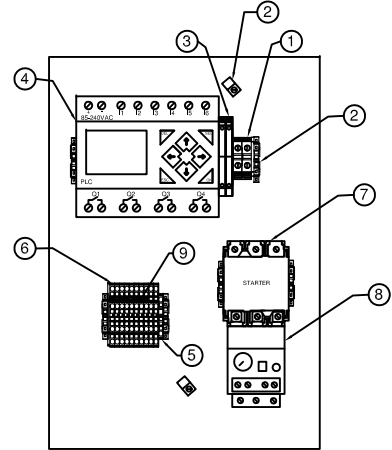
NAME OF PROJECT				DESCRIPTION OF DRAWING			
A5 SCREW COMPRESSOR				SYSTEM COMPONENTS			
DRAWN BY		CHECKED BY		DATE		SCALE	
EH				5/10/16		N.T.S	
				DRAWING NO.		SHT NO/REV.	
				A5		B	

REV.	DATE	REVISION DESCRIPTION	PCN NO.
A	9/18/15	DSC-002852 kit introduced	---

ID	PART NUMBER	DESCRIPTION
AR	DSC-102	Anti-Rotation Switch
CON	DSC-002808	Starter Contactor 32A, 240V
F1/F2	SS-9877	1.0 A, 5 mm fuse
FL	DSC-002805	Pilot light, red, 230Vac (DSC-002852 kit)
G	DSC-002804	Pilot light, green, 230Vac
HM	DSC-002806	Hour meter, panel mounted, 300Vac
I	DSC-002799	Selector switch, operator
	DSC-002837	1 NO contact block for DSC-002799
OL	DSC-001284	Overload relay 16-24A
PLC	DSC-002800	PLC, D16, 4RO, 40Vac
PL	DSC-002804	Green pilot light, 230Vac (DSC-002852 kit)
PS	SSS-9003-115150	Pressure switch (110-145 psf)
R	DSC-002805	Pilot light, red, 230Vac
RC	DSC-001682	RC snubber, 600Vac
RSS	DSC-002845	Remote start / stop switch, 2 pos. maintained (DSC-002852 kit)
	DSC-002846	NO contact for DSC-002845 (DSC-002852 kit)
S	DSC-002841	Solenoid 230Vac, A-series
SV	DSC-002838	16mm push button switch, 250Vac
TS	DSC-002801	Temperature switch, 240Vac
VR	DSC-002807	250V varistor for solenoid



FUSE TABLE			
VOLTAGE	FUSE SIZE (A)		OVERLOAD SETTING
	F1	F2	
230	1.0	1.0	23



- ① POWER BLOCK
- ② GROUND LUG
- ③ 5MM FUSE HOLDERS
- ④ PLC
- ⑤ GROUND TERMINAL
- ⑥ TERMINAL BLOCKS
- ⑦ MOTOR CONTACTOR
- ⑧ OVERLOAD RELAY
- ⑨ TERMINAL BRIDGE JUMPER

Important Note: This print is the confidential property of DV Systems, Inc. It is not to be used or reproduced in any manner, nor submitted to other parties for examination without the prior approval of DV Systems, Inc.

FRACTIONAL DIMENSIONS:  $\pm 1/32$   
 DECIMAL DIMENSION:  $\pm .005$   
 ANGLES:  $\pm 1^\circ$   
 \*UNLESS OTHERWISE SPECIFIED

NAME OF PROJECT				DESCRIPTION OF DRAWING		
A5 SCREW COMPRESSOR				A5 CONTROL PANEL		
DRAWN BY	CHECKED BY	DATE	SCALE	DRAWING NO.	SHT NO.	REV.
E.H.		SEP '15	N.T.S.	A5-CONTL		A